









PWM 920 SI/SD

- en** Installation plan Commercial washing machine
- cs** Instalační plán Profesionální pračka
- hu** Telepítési terv Ipari mosógép
- tr** Kurulum planı Endüstriyel Çamaşır Makinesi
- pt** Plano de instalação Máquina de lavar roupa industrial

en 4
cs 28
hu 52
tr 76
pt100

Installation notes	4
Explanation of the safety instructions and warnings on the machine.....	4
Installation requirements	4
General operating conditions	4
Installation	4
Installation on concrete plinth	5
Levelling the machine.....	5
Securing the machine.....	6
Electrical connection	6
Water connection	7
Cold water connection	8
Hot water connection	8
Drain valve.....	8
Dispensing pump connections.....	9
Optional accessories.....	10
Hard water kit (APWM062)	10
APWM 019/020 Connector Box	10
WiFi/LAN interface	12
Plinth (APWM 029/033)	12
Installation	13
SI standard	13
SI plinth	15
SD standard	17
SD plinth.....	19
Installation	21
Standard.....	21
Plinth	22
Floor anchoring	23
Technical data	24
Voltage versions and electrical data.....	24
Plumbing	24
Cold water connection	24
Hot water connection	24
Hot water connection (for variants without heating or with reduced heater rating)	24
Hard water connection (optional)	24
Indirect steam heating.....	24
Direct steam heating	25
Drainage	25
Connection for equipotential bonding.....	25
Installation dimensions.....	25
Anchoring	25
Transport data, weight and floor load	26
Models with detergent drawer (DD).....	26
Emissions data	26

Explanation of the safety instructions and warnings on the machine

	Read the operating instructions
	Read all the instructions, e.g. the installation instructions
	Warning, hot surfaces
	Warning, voltage up to 1000 volts
	Earthing
	Equipotential bonding

Installation requirements

The washing machine must be installed and commissioned by a Miele Service technician or by an authorised dealer.

- ▶ The washing machine must be installed in accordance with applicable regulations and standards. Local energy supplier and water authority regulations must also be observed.
- ▶ This washing machine must only be operated in a room that has sufficient ventilation and which is frost-free.

This machine should not be installed or operated in any area where there is a risk of explosion!

General operating conditions

This washing machine is intended only for use in a commercial environment and must only be operated indoors.

- Ambient temperature: 0-40 °C
- Relative humidity: non-condensing
- Maximum height above sea level of location site: 2000 m

Depending on the nature of the installation site, sound emissions and vibration may occur.

Tip: Have the installation site inspected and seek the advice of a professional in instances where increased noise may cause a nuisance.

Installation

Transport the washing machine to its installation site using a suitable pallet truck and remove the transport packaging.

The washing machine must be set up on a completely level, horizontal and firm surface with the minimum stated load bearing capacity (see “Technical data”).

Tip: A concrete floor is the most suitable installation surface. It is far less prone to vibration during the spin cycle than wooden floorboards or a carpeted surface.

The floor load created by the washing machine is the load exerted by the area of the machine in contact with and transferred to the installation surface.

The washing machine requires a gap of at least 50 mm on each side to allow for movement during operation. Please ensure a minimum distance of 400 mm is maintained between the rear of the appliance and the rear wall.

The washing machine must not be installed on a carpeted floor.

The feet of the washing machine must be secured to the fastening points on the floor using the fittings supplied.


The fittings supplied are for bolting the machine to a concrete floor. If other floor types are present at the installation site, the fastening material must be ordered by the customer.

Installation on concrete plinth

The washing machine can be installed on a concrete plinth if desired.

The concrete materials and the durability of the concrete plinth must be assessed in accordance with the floor load bearing capacity given in “Technical data”.

- To guarantee the stability of the washing machine, make sure that the concrete plinth is sufficiently stable on the floor and that it is capable of withstanding any burden or force from the washing machine.
- The washing machine must be secured to the concrete plinth using the fixtures and fastenings supplied.

 The washing machine must be secured to the plinth immediately after installation!

There is a risk of the washing machine falling off a raised plinth during a spin cycle if it is not secured.

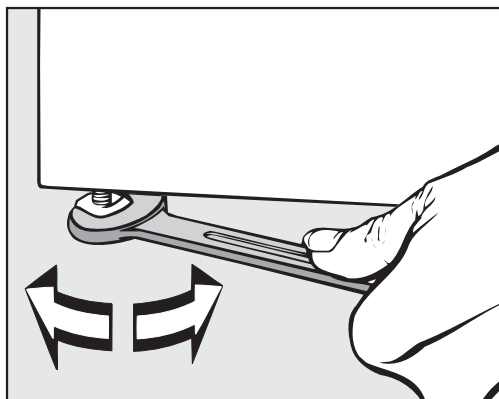
Levelling the machine

- Align the washing machine vertically and horizontally using the adjustable feet and a spirit level.

The washing machine must stand evenly and horizontally on all four feet to ensure trouble-free and energy-efficient operation. Otherwise the water and energy consumption increases and the washing machine might move around.

en - Installation notes

- After aligning the machine, tighten the lock nuts by turning them in an counterclockwise direction with a wrench. This will prevent the feet from adjusting themselves.



Securing the machine

- The feet of the washing machine must be secured to the concrete plinth using the fixtures and fastenings supplied.

Fittings supplied are for installation on a concrete floor. For other types of flooring, please purchase suitable fastening materials separately.

Electrical connection

The electrical connection must only be carried out by a qualified electrician who must ensure that all electrical work is carried out in accordance with applicable electrical regulations and standards (BS 7671 in the UK).

- ▶ This washing machine must be connected to an electrical mains supply that complies with local and national regulations. Please also observe your insurance and energy supplier's regulations as well as any health and safety at work regulations.
- ▶ The required voltage, connected load and fusing rating can be found on the data plate on the washing machine. Before connecting the machine to the power supply, please ensure that the mains supply voltage complies with the values given on the data plate.

Connection to a supply voltage other than the one quoted on the data plate can lead to functional faults and damage the washing machine!

If more than one voltage is quoted on the data plate, the washing machine can be converted for connection to the voltages stated.

- ▶ Conversion to a different voltage must only be carried out by a Miele Service engineer or by an authorised Service Partner. The wiring instructions given on the wiring diagram must be followed.

Tip: We recommend connection to the power supply via a suitably rated plug and socket which must be easily accessible for servicing and maintenance work after the machine has been installed. An electrical safety test must be carried out after installation and after any service work.

The machine should be connected with a suitably rated plug and socket in accordance with IEC 60309-1 or hard wired. For a hard wired connection an all-pole isolation device must be installed.

For hard-wired machines connection should be made via a suitable mains switch with all-pole isolation which, when in the off position, ensures a 3 mm gap between all open contacts. These include circuit breakers, fuses and relays (IEC/EN 60947).

If the mains supply cannot be permanently disconnected, the isolator switch (including plug and socket) must be safeguarded against being switched on either unintentionally or without authorisation.

► If it is necessary to install a residual current device (RCD) in accordance with local regulations, a residual current device type B (sensitive to universal current) must be used.

An existing type A residual current device (RCD) must be exchanged for a type B RCD.

► If necessary, equipotential bonding with good galvanic contact must be guaranteed in compliance with all applicable local and national installation specifications.

Equipotential bonding must have an earth current rating > 10 mA
Accessories for equipotential bonding are not supplied and need to be ordered separately.

Water connection

For compliance to Regulation 4 of the water regulations guide please fit the supplied double check valves to the on-site water supplies for each inlet hose used. The non-return valve prevents water from the water inlet hose from flowing back into the on-site drinking water supply.

Non-return valves are supplied.

The flow pressure must amount to a minimum of 100 kPa and must not exceed 1000 kPa. If the flow pressure is higher than 1000 kPa, a pressure reducing valve must be used.

The machine must be connected to the water supply using the inlet hoses provided.

⚠ The connection points are subject to water supply pressure. Turn on the stopcock slowly and check for leaks. Correct the position of the seal and screw thread if appropriate.

en - Installation notes

Only connect the washing machine to the water supply with the hoses supplied.

Cold water connection

For the cold water connection one stopcock each with a 3/4" external thread is required. A connector (Y-piece) can be used if required to connect 2 water inlet hoses with a 3/4" screw thread to a single stopcock with a 1" male thread.

Hot water connection

To minimise energy consumption during operation with hot water, the washing machine should be connected to a suitable hot water ring circuit if present.

So-called "transmission pipes" (single pipes to hot water generators) can result in cooling down of the water remaining in the pipes if not in constant use. More energy would then be consumed to heat the suds up again.

The temperature of the water intake must not exceed 70 °C.

If there is no hot water supply at the installation location for the washing machine, the inlet hose for hot water must also be connected to the cold water supply. A Y-piece is required in this case. The cold water consumption increases accordingly to account for the missing hot water intake.

For functional and technical reasons it is not possible to operate the machine exclusively with a hot water connection.

Even if a hot water connection is present, the washing machine must be connected to a cold water intake.

Drain valve

In the case of washing machines with a drain valve, a motorised valve is used to drain the machine. An HT DN 70 angle connector can be used for draining the machine directly into the waste water system (without a siphon) or into an on-site floor drain (with odour trap).

Thanks to an improved closing mechanism and a larger cross-section, even the coarsest of soiling does not leave any deposits or debris behind which could result in blockages. The drain valve can also be operated manually to allow the suds container to be emptied in the event of a power outage.

A vented drainage system is vital for unimpeded drainage.

If several machines are connected to a single drain pipe, this should be sufficiently large to allow all machines to drain simultaneously.

The appropriate Miele installation kit (mat. no.: 05 238 090) is available to order from the Miele Customer Service Department or your Miele dealer for venting an HT DN 70 pipe.

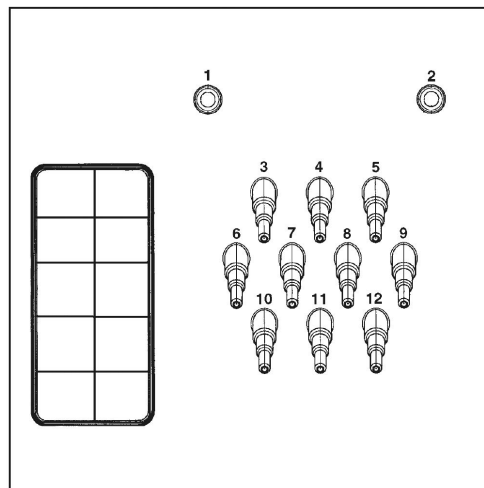
If the slope for drainage is extremely steep, the piping must be vented to prevent formation of a vacuum in the machine's drainage system.

Slow or obstructed drainage or a backup of water in the drum as a result of undersized pipework can result in faults occurring during programmes, which will result in fault messages appearing in the display.

⚠ Outflowing suds can be as hot as 95 °C. Danger of burning!
Avoid direct contact.

Dispensing pump connections

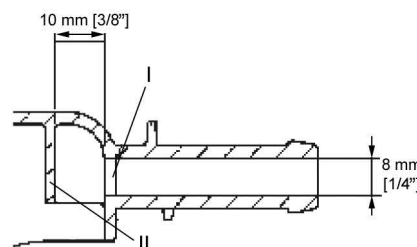
Up to 12 dispensing pumps can be connected to the washing machine.



Dispensing pump connections on the back of the machine

Connections **1** and **2** are provided for viscous agents and can also be used for high-pressure dispensing systems with water injection. The dispensing systems must be fitted with a separate drinking water safety mechanism in accordance with Regulation 4 of The Water Supply (Water Fittings) Regulations 1999 EN 61770 and EN 1717. The maximum flow rate is 1500 ml/min with a maximum flow pressure of 300 kPa.

These connectors are sealed and need to be drilled open using a 8 mm drill bit before connecting.



Make sure that you only drill through the first panel (I) as there is a deflecting panel (II) 10 mm behind it.

Connections **3** to **12** are provided for liquid detergent. High-pressure dispensing systems with water injection must not be connected to these connections. The connectors are sealed and must be cut to the diameter of the hose with a small saw before they are connected.

en - Installation notes

If opened connectors are no longer required, they must be resealed using a suitable sealant (e.g. silicone).

External dispensing pumps are connected and calibrated via the Connector Box, which is available as an option.

A flowmeter or flow sensors can also be connected for monitoring the dispensing quantity precisely.

Connections for level monitoring are available for every agent dispensed.

Optional accessories

Only use genuine Miele spare parts and accessories with this machine.

Using spare parts or accessories from other manufacturers will invalidate the guarantee, and Miele cannot accept liability.

Hard water kit (APWM062)

The hard water connection on the washing machine can be retrofitted with the optional hard water kit (APWM062).

The additional water connection allows hard water to be used and the programme running time will therefore be reduced. In addition, hard water is particularly suitable for the final rinse cycles.

APWM 019/020 Connector Box

The Connector Box allows external hardware from Miele and other suppliers to be connected to the Miele Professional washing machine.

Flowmeters for the water inlet can also be connected to the Connector Box (APWM 065).

Peak load / energy management

A peak-load or energy management system can be connected via the Connector Box.

The peak-load negotiation monitors the energy consumption of a system and deactivates individual pieces of equipment temporarily in order to ensure that certain total load limits are not exceeded. Monitoring is externally controlled.

When the peak-load function is activated, the heating is deactivated and the programme stopped. A message appears in the display to inform you of this.

The programme is resumed automatically when the peak-load function finishes.

Liquid dispensing connection

External liquid dispensing pumps with a “container empty” indicator or flowmeter can be used to dispense liquid detergents.

The dispensing pumps can only be programmed by the Miele Customer Service Department using the Miele Diagnostic Support system (MDU).

It is particularly important to observe manufacturer's instructions when using a combination of cleaning agents and special application products.

Payment device

The washing machine can be fitted with a single-machine payment system as an optional accessory via the Connector Box.

The programming required for connecting a payment system can be carried out during the initial commissioning process. After initial commissioning, changes may only be carried out by your Miele dealer or the Miele Customer Service Department.

en - Installation notes

WiFi/LAN interface

The washing machine is equipped with a WiFi/LAN interface for exchanging data.


The data interface provided on the LAN connection complies with SELV (Safety Extra Low Voltage) in accordance with EN 60950. The LAN connection uses a RJ45 connector in accordance with EIA/TIA 568-B.

Connected appliances must also comply with SELV.

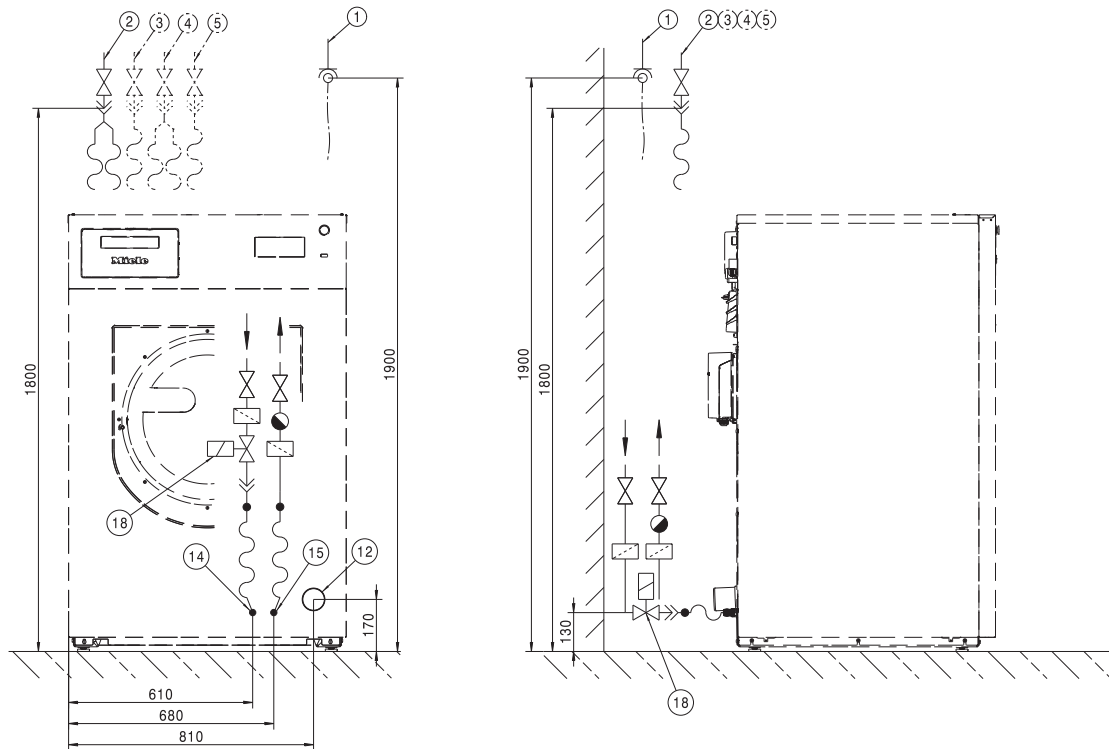
Plinth (APWM 029/033)

The washing machine can be installed on a plinth (open or box plinth, available as an optional Miele accessory).

Elevating the washing machine gives a better ergonomic working position when loading or unloading. It also simplifies the installation of a drain connection.

 The washing machine must be secured to the plinth immediately after installation! The plinth must be secured to the floor! There is a risk of the washing machine falling off a raised plinth during a spin cycle if it is not secured.

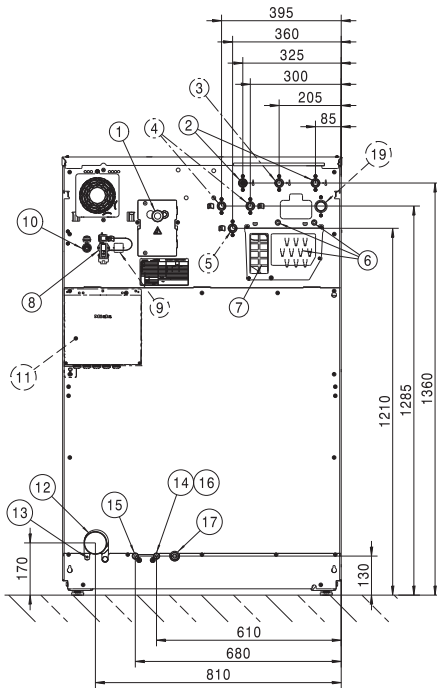
SI standard



Dimensions in mm

- ① Electrical connection
- ② Cold water connection
- ③ Hot water connection
- ④ Cold water connection for hard water (optional)
- ⑤ Cold water connection for liquid dispensing
- ⑫ Drain pipe
- ⑭ SI connection, intake
- ⑮ SI connection, drain SI only
- ⑱ Steam valve SI/SD only

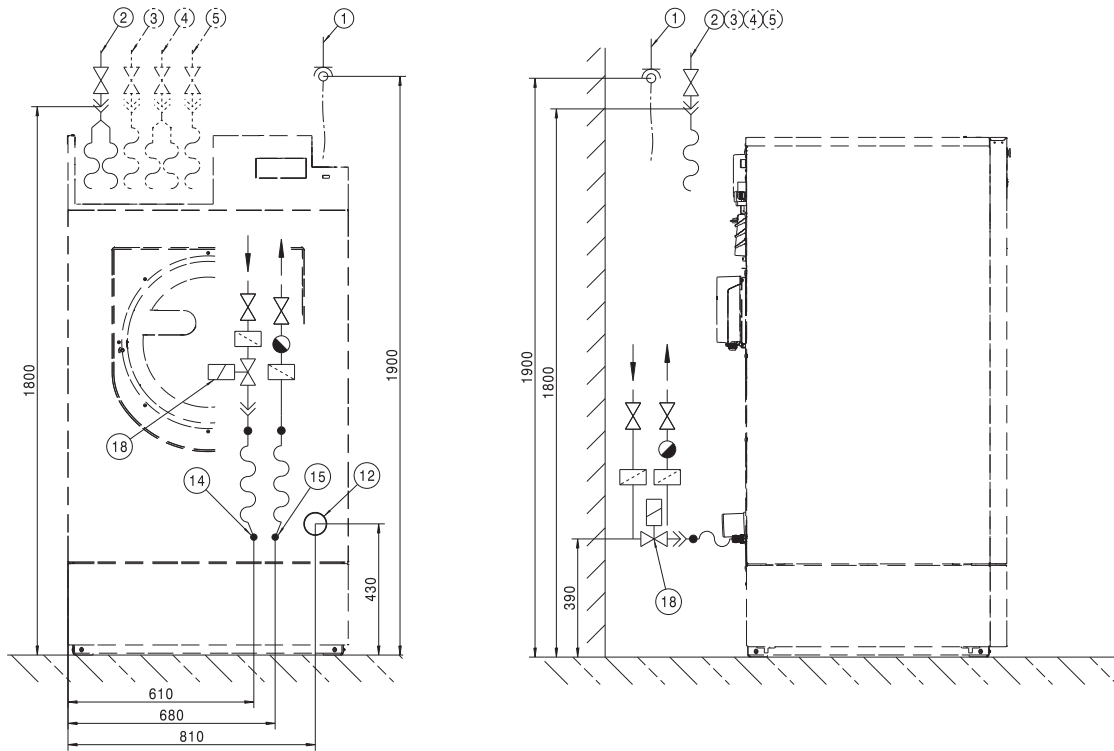
en - Installation



Dimensions in mm

- | | |
|---|--|
| ① Electrical connection | ⑩ LAN connection |
| ② Cold water connection | ⑪ Connector Box (optional) |
| ③ Hot water connection | ⑫ Drain pipe |
| ④ Cold water connection for hard water (optional) | ⑬ Connection for equipotential bonding |
| ⑤ Cold water connection for liquid dispensing | ⑭ SI connection, intake |
| ⑥ Dispensing pump connections | ⑮ SI connection, drain SI only |
| ⑦ Overflow and ventilation | ⑯ SD connection (direct steam) |
| ⑧ Connector Box connection | ⑰ Steam valve connection SI/SD only |
| ⑨ Connector Kit connection (optional) | ⑱ Water recovery connection (optional) |

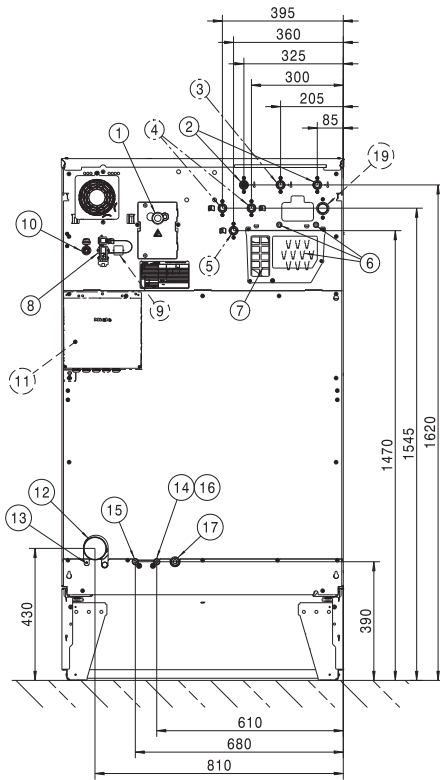
SI plinth



Dimensions in mm

- ① Electrical connection
- ② Cold water connection
- ③ Hot water connection
- ④ Cold water connection for hard water (optional)
- ⑤ Cold water connection for liquid dispensing
- ⑫ Drain pipe
- ⑭ SI connection, intake
- ⑮ SI connection, drain SI only
- ⑱ Steam valve SI/SD only

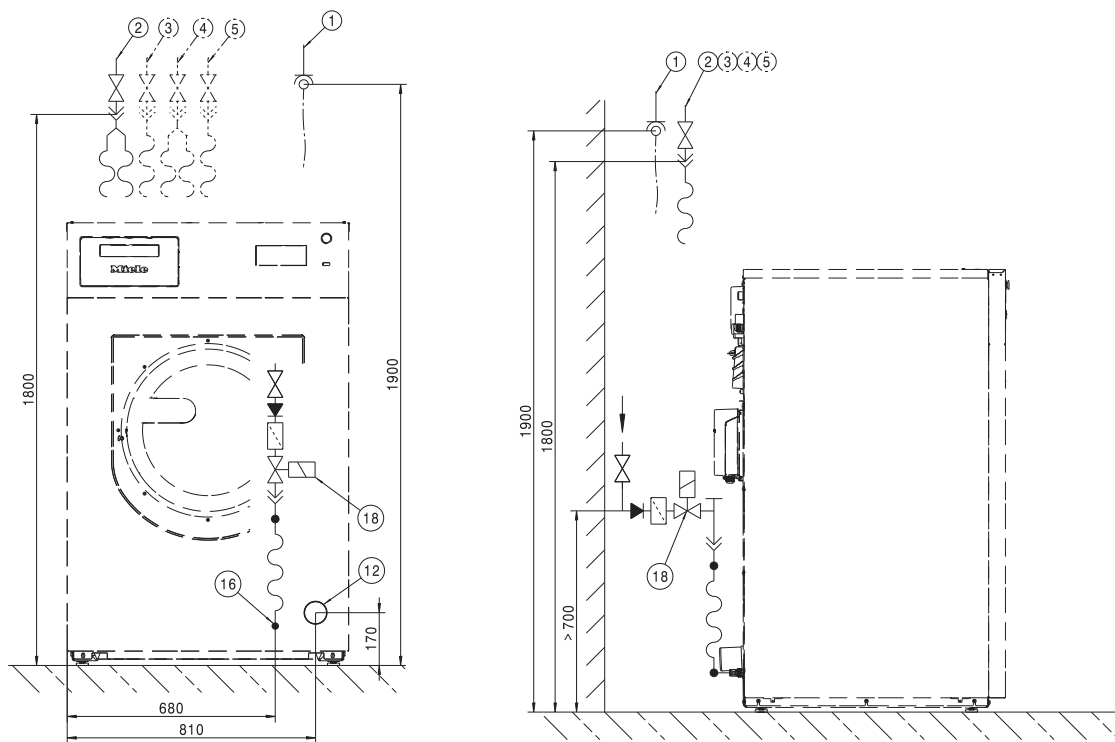
en - Installation



Dimensions in mm

- ① Electrical connection
- ② Cold water connection
- ③ Hot water connection
- ④ Cold water connection for hard water (optional)
- ⑤ Cold water connection for liquid dispensing
- ⑥ Dispensing pump connections
- ⑦ Overflow and ventilation
- ⑧ Connector Box connection
- ⑨ Connector Kit connection (optional)
- ⑩ LAN connection
- ⑪ Connector Box (optional)
- ⑫ Drain pipe
- ⑬ Connection for equipotential bonding
- ⑭ SI connection, intake
- ⑮ SI connection, drain SI only
- ⑯ SD connection (direct steam)
- ⑰ Steam valve connection SI/SD only
- ⑱ Water recovery connection (optional)

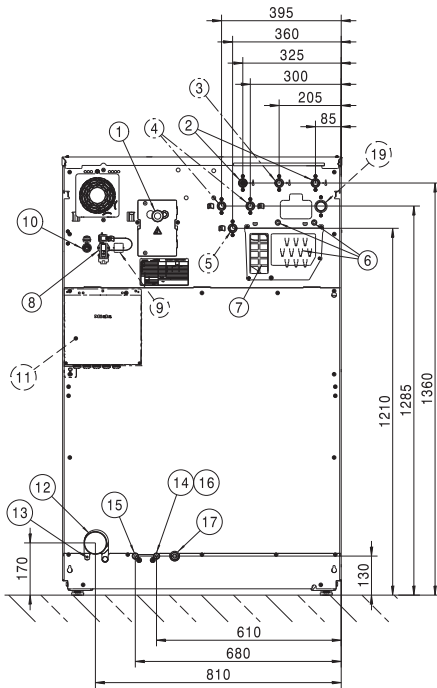
SD standard



Dimensions in mm

- ① Electrical connection
- ② Cold water connection
- ③ Hot water connection
- ④ Cold water connection for hard water (optional)
- ⑤ Cold water connection for liquid dispensing
- ⑫ Drain pipe
- ⑯ SD connection (direct steam)
- ⑱ Steam valve SI/SD only

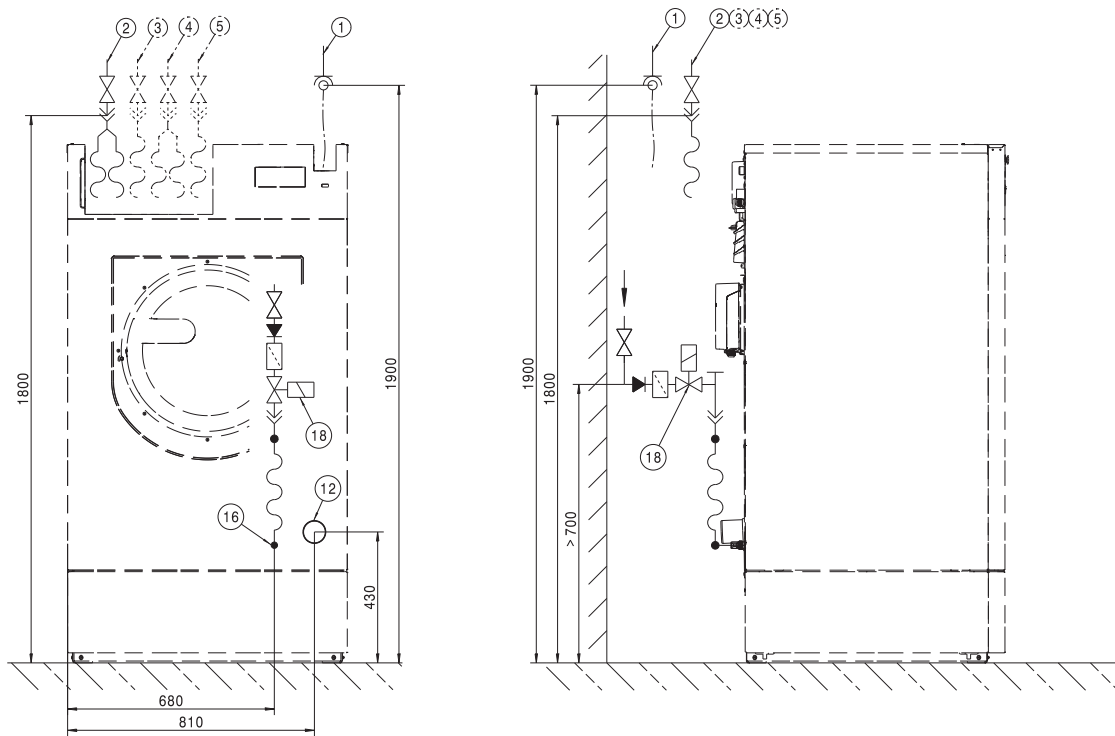
en - Installation



Dimensions in mm

- ① Electrical connection
- ② Cold water connection
- ③ Hot water connection
- ④ Cold water connection for hard water (optional)
- ⑤ Cold water connection for liquid dispensing
- ⑥ Dispensing pump connections
- ⑦ Overflow and ventilation
- ⑧ Connector Box connection
- ⑨ Connector Kit connection (optional)
- ⑩ LAN connection
- ⑪ Connector Box (optional)
- ⑫ Drain pipe
- ⑬ Connection for equipotential bonding
- ⑭ SI connection, intake
- ⑮ SI connection, drain SI only
- ⑯ SD connection (direct steam)
- ⑰ Steam valve connection SI/SD only
- ⑱ Water recovery connection (optional)

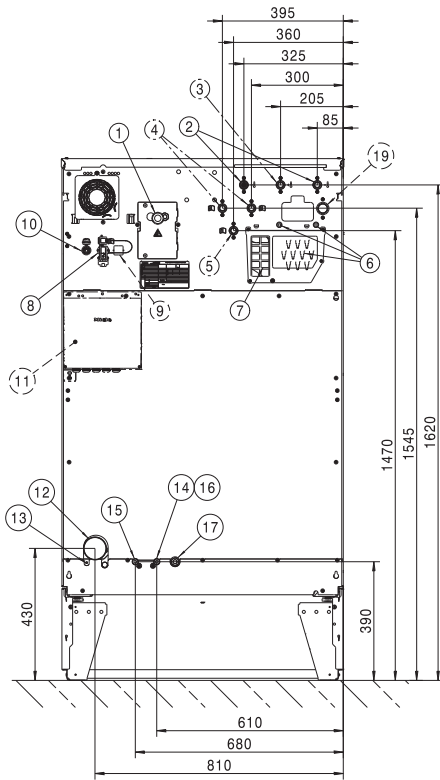
SD plinth



Dimensions in mm

- ① Electrical connection
- ② Cold water connection
- ③ Hot water connection
- ④ Cold water connection for hard water (optional)
- ⑤ Cold water connection for liquid dispensing
- ⑫ Drain pipe
- ⑯ SD connection (direct steam)
- ⑰ Steam valve SI/SD only

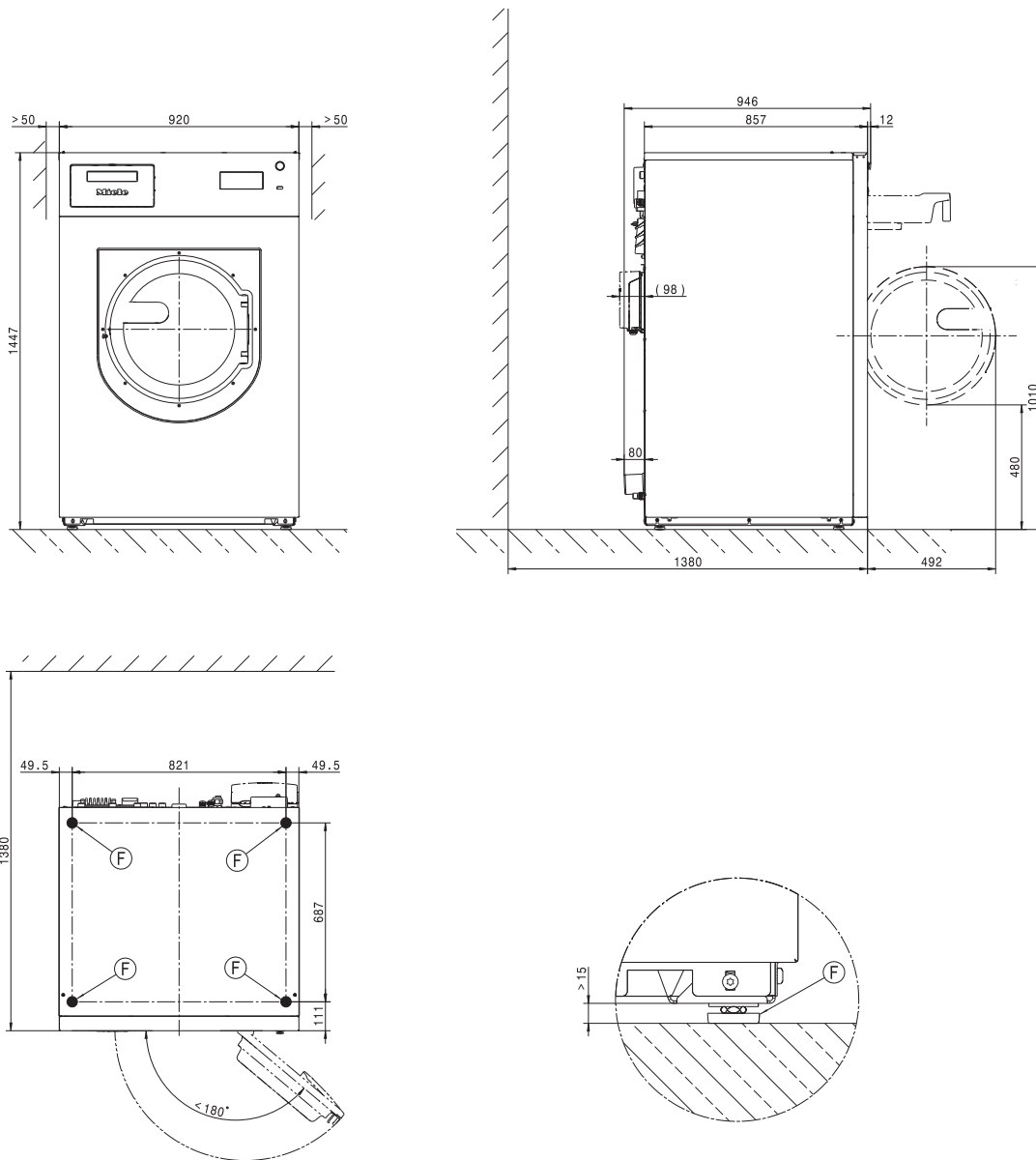
en - Installation



Dimensions in mm

- ① Electrical connection
- ② Cold water connection
- ③ Hot water connection
- ④ Cold water connection for hard water (optional)
- ⑤ Cold water connection for liquid dispensing
- ⑥ Dispensing pump connections
- ⑦ Overflow and ventilation
- ⑧ Connector Box connection
- ⑨ Connector Kit connection (optional)
- ⑩ LAN connection
- ⑪ Connector Box (optional)
- ⑫ Drain pipe
- ⑬ Connection for equipotential bonding
- ⑭ SI connection, intake
- ⑮ SI connection, drain SI only
- ⑯ SD connection (direct steam)
- ⑰ Steam valve connection SI/SD only
- ⑱ Water recovery connection (optional)

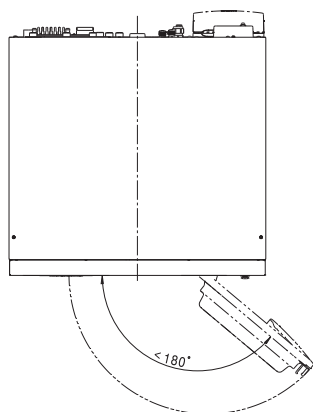
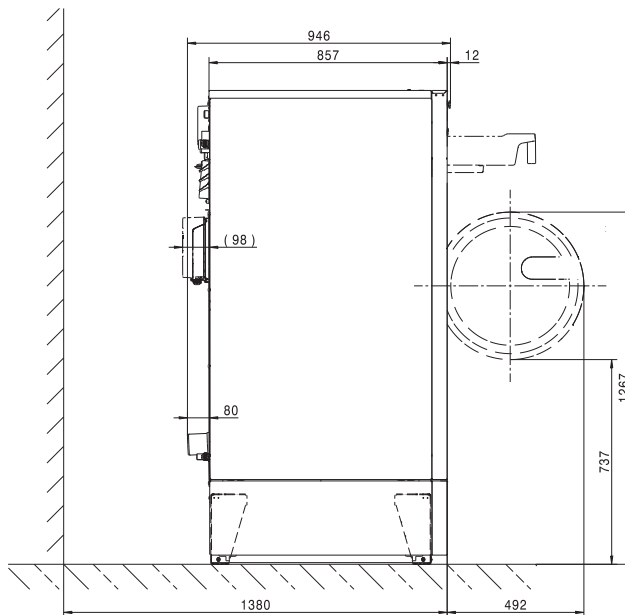
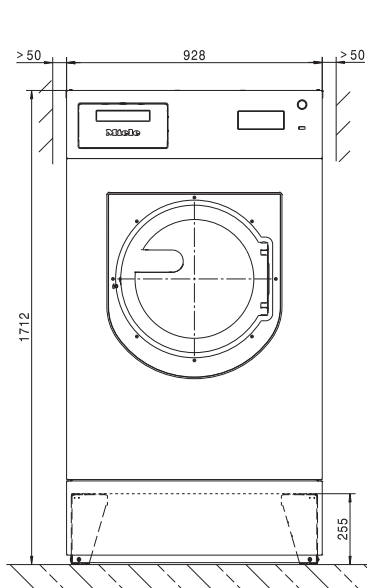
Standard



Dimensions in mm

ⓕ Machine foot

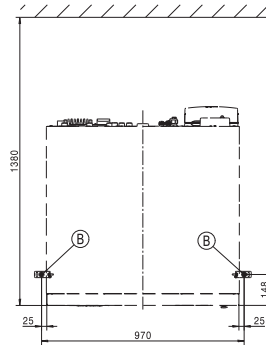
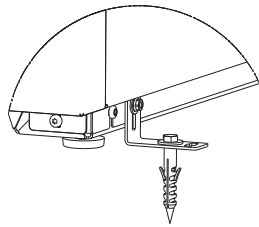
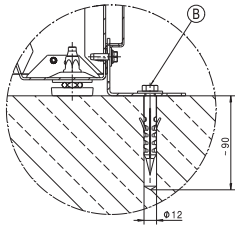
Plinth



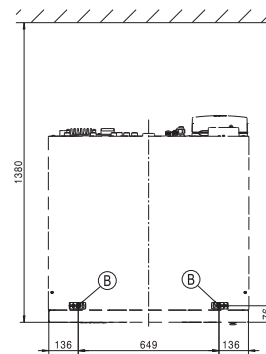
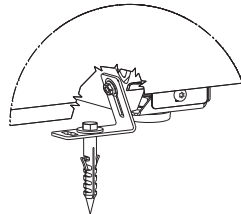
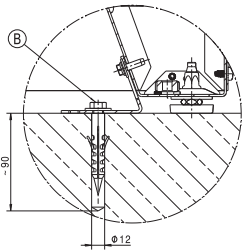
Dimensions in mm

Floor anchoring

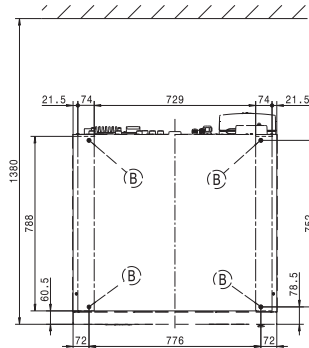
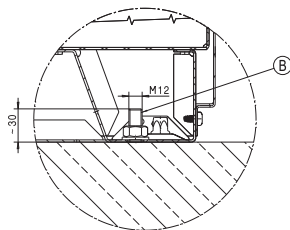
Standard



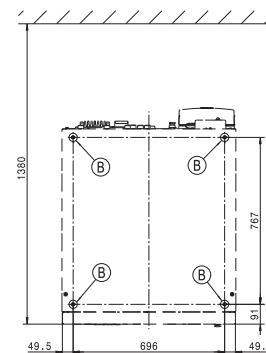
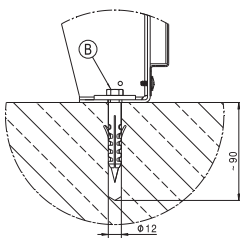
Multiple side-by-side installation



Marine applications



Plinth



Dimensions in mm

ⓑ Screw/anchor point

en - Technical data

Voltage versions and electrical data

3N AC 400 V SI/SD

Supply voltage	3N AC 400 V
Frequency	50/60 Hz
Required fuse rating (on site)	16 A
Power rating	3,1 kW
Connection cable, min. cross-section	1,5 mm ²

Plumbing

Cold water connection

Required flow pressure	100 - 1000 kPa (1 - 10 bar)
Maximum flow rate	31,5 l/min
Threaded union required (male thread, to be provided by customer in accordance with DIN 44991, flat sealing)	3 x 3/4"
Length of water inlet hose supplied	3 x 1550 mm

Hot water connection

Maximum permissible hot water temperature	70 °C
Required flow pressure	100 - 1000 kPa (1 - 10 bar)
Maximum flow rate	16 l/min
Threaded union required (male thread, in accordance with DIN 44991, flat sealing)	1 x 3/4"
Length of water inlet hose supplied	1550 mm

Hot water connection (for variants without heating or with reduced heater rating)

Maximum permissible hot water temperature	90 °C
Required flow pressure	100 - 1000 kPa (1 - 10 bar)
Maximum flow rate	16 l/min
Threaded union required (male thread, in accordance with DIN 44991, flat sealing)	1 x 1"
Length of water inlet hose supplied	1550 mm

Hard water connection (optional)

Required flow pressure	100 - 1000 kPa (1 - 10 bar)
Maximum flow rate	32 l/min
Threaded union required (male thread, in accordance with DIN 44991, flat sealing)	2 x 3/4"
Length of water inlet hose supplied	2 x 1550 mm

Indirect steam heating

Heater rating (peak capacity)	27 kW
Threaded union (on site)	2 x 1/2"
Steam solenoid valve, dirt filter and steam shut-off valve must be installed by the customer on site. Follow the installation instructions for steam-heated machines.	

Direct steam heating

Heater rating (peak capacity high pressure)	37 kW
Threaded union (on site)	1 x ½"
Steam solenoid valve, dirt filter and steam shut-off valve must be installed by the customer on site. Follow the installation instructions for steam-heated machines.	

Drainage

Maximum drain water temperature	95 °C
Waste water connection (on machine)	Plastic pipe HT DN 70
Drain (on site)	Connection DN 70
Maximum drainage rate	200 l/min

Connection for equipotential bonding

Male thread	M10
Toothed washers	M10

Installation dimensions

Casing width (without add-on components)	920 mm
Casing height (without add-on components)	1447 mm
Casing depth (without add-on components)	857 mm
Overall machine width	924 mm
Overall machine height	1450 mm
Overall machine depth	946 mm
Minimum width of transport opening	1020 mm
Minimum safety distance between wall and appliance front	1380 mm
Diameter of door opening	415 mm
Door opening angle	180°

Anchoring

Standard

Required anchor points	2
DIN 571 wood screw (diameter x length)	12 mm x 90 mm
Rawl plugs (diameter x length)	16 mm x 80 mm

With plinth (APWM UO/UG)

Required anchor points	4
DIN 571 wood screw (diameter x length)	12 mm x 90 mm
Rawl plugs (diameter x length)	16 mm x 80 mm

Concrete plinth

Required anchor points	2
DIN 571 wood screw (diameter x length)	12 mm x 90 mm
Rawl plugs (diameter x length)	16 mm x 80 mm

en - Technical data

Transport data, weight and floor load

Models with detergent drawer (DD)

Packaging width	10210 mm
Packaging height	1585 mm
Packaging depth	1130 mm
Gross volume	2168 l
Gross weight*	410 kg
Net weight*	390 kg
Max. floor load in operation*	5765 N







*depending on equipment configuration

Emissions data

Sound pressure level at workplace, washing	51 dB (A)
Sound power level, washing	60,0 dB (A)
Sound pressure level at workplace, spinning	65 dB (A)
Sound power level, spinning	76,0 dB (A)
Average heat dissipation rate to installation room	6,48 MJ/h

Pokyny k instalaci	28
Vysvětlení bezpečnostních pokynů a varovných upozornění na přístroji	28
Předpoklady instalace	28
Všeobecné provozní podmínky	28
Umístění	28
Umístění na betonovém soklu	29
Vyrovnání.....	29
Upevnění	30
Elektrické připojení	30
Připojení na vodu.....	31
Upozornění pro Švýcarsko	31
Pozor v Rakousku.....	31
Připojení na studenou vodu.....	32
Přípojka teplé vody.....	32
Vypouštěcí ventil	32
Přípojky dávkovacích čerpadel	33
Zvláštní vybavení / příslušenství k dokoupení	34
Sada pro připojení tvrdé vody (APWM062)	34
Připojovací box APWM019/020	34
Rozhraní WiFi/LAN	36
Podstavec (APWM029/033)	36
Sada pro odvádění par a pěny (APWM 063)	36
Instalace	37
Standard SI.....	37
Sokl SI	39
Standard SD	41
Sokl SD.....	43
Umístění	45
Standard	45
Sokl	46
Upevnění do podlahy	47
Technické údaje	48
Varianty napětí a elektrické údaje.....	48
Připojení vody	48
Přípojka studené vody.....	48
Přípojka teplé vody.....	48
Přípojka horké vody (u variant bez ohřevu nebo s redukováným topným výkonem)	48
Přípojka tvrdé vody (volitelně)	48
Nepřímý parní ohřev	48
Přímý parní ohřev	48
Odtok odpadní vody.....	49
Přípoj pro vyrovnání potenciálů	49
Instalační rozměry	49
Upevnění	49
Přepravní údaje, hmotnost a zatížení podlahy.....	50
Varianty přístroje se zásuvkou pracích prostředků (DD).....	50
Údaje o emisích.....	50

Vysvětlení bezpečnostních pokynů a varovných upozornění na přístroji

	Přečtěte si návod k obsluze
	Přečtěte si návody, např. návod k instalaci
	Pozor, horké povrchy
	Pozor, napětí až 1 000 voltů
	Uzemnění
	Vyrovnaní potenciálů

Předpoklady instalace

Pračku smí nainstalovat jen servisní služba Miele nebo vyškolený personál pověřeného specializovaného prodejce.

- ▶ Instalace musí být provedena podle platných pravidel a norem. Kromě toho musí být respektovány předpisy místního dodavatele energií a vodárny.
- ▶ Pračku provozujte vždy jen v dostatečně větraných místnostech, které nejsou ohrožené mrazem.

Pračka není určena pro provoz v oblastech ohrožených výbuchem!

Všeobecné provozní podmínky

Pračka je určena výhradně pro použití v živnostenské oblasti a smí se používat jen ve vnitřních prostorech.

- teplota okolí: 0-40 °C
- relativní vlhkost vzduchu: bez kondenzace
- maximální nadmořská výška instalace: 2000 m

Podle charakteru místa instalace může docházet k přenosu zvuku nebo vibrací.

Tip: Při zvýšených požadavcích na protihlukovou ochranu nechte místo instalace přístroje posoudit pracovníkem kvalifikovaným v ochraně proti hluku.

Umístění

Dopravte pračku zvedacím vozíkem na místo instalace a odstraňte přepravní obal.

Pračka musí být umístěna na naprosto rovné, vodorovné a pevné ploše, která je dimenzovaná přinejmenším na uvedené zatížení podlahy (viz kapitola „Technické údaje“).

Tip: Jako instalační plocha je nejvhodnější betonová podlaha. Ta se na rozdíl od podlahy z dřevěných trámů nebo jiné „měkké“ podlahy jen zřídka rozkmitá při odstředování.

Pračka zatěžuje instalační plochu podlahy plošně v oblasti noh přístroje.

Kvůli dynamickým pohybům přístroje během provozu vyžaduje pračka boční odstupy nejméně 50 mm. Vzdálenost zadní strany přístroje od zadní stěny by měla být nejméně 400 mm.

Pračka nesmí být postavena na kobercové podlaze.

Přípevněte pračku upevňovacím materiálem, který je součástí dodávky, v určených upevňovacích bodech na podlaze.


Dodaný upevňovací materiál je koncipován pro upevnění pomocí hmoždinek na betonové podlaze. Při jiném konstrukčním provedení podlahy v místě instalace musí upevňovací materiál zajistit investor.

Umístění na betonovém soklu

Existuje možnost umístit pračku na betonový sokl.

Jakost betonu a pevnost betonového soklu je nutno dimenzovat podle zatížení podlahy uvedeného v kapitole „Technické údaje“.

- Pro zajištění stability přístroje dbejte na to, aby betonový sokl stál na podlaze dostatečně pevně a vydržel zatížení dané pračkou.
- Pračku po umístění soklu bezpodmínečně připevněte dodaným upevňovacím materiálem.

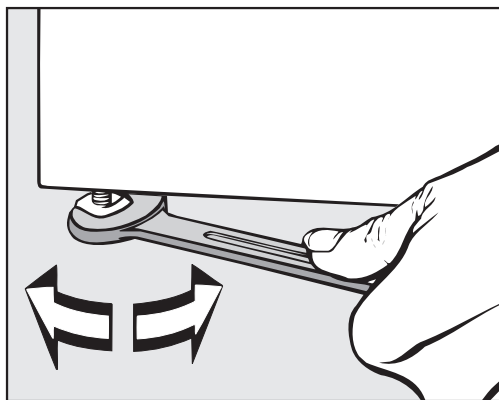
 Po umístění musí být pračka bezpodmínečně upevněna na betonovém soklu!
Bez upevnění hrozí nebezpečí, že pračka při odstředování spadne ze soklu.

Vyrovnaní

- Po umístění vyrovnejte pračku v podélném i příčném směru nastavitelnými nohama a vodováhou do vodorovné polohy.

Aby byl zajištěn bezvadný a energeticky účinný provoz, musí pračka stát rovnoměrně a vodorovně na všech čtyřech nohách. Jinak se zvýší spotřeba vody a energie a pračka se může pohybovat po podlaze.

- Po vyrovnaní utáhněte pojistné matice otáčením klíče proti směru hodinových ručiček, aby se nohy nemohly přestavit.



Upevnění

- Pro zajištění polohy upevněte pračku dodaným upevňovacím materiálem přes nohy na podlaze.

Dodaný upevňovací materiál je koncipován pro upevnění pomocí hmoždinek na betonové podlaze. Při jiném konstrukčním provedení podlahy v místě instalace musíte upevňovací materiál objednat zvlášť.

Elektrické připojení

Elektrické připojení smí provést výhradně kvalifikovaný elektrikář, který je plně odpovědný za dodržení existujících norem a elektroinstalačních předpisů.

- ▶ Pračka musí být připojena k elektrické instalaci provedené podle národních a místních předpisů. Kromě toho je nutno respektovat předpisy příslušných dodavatelů energií a pojistitelů, bezpečnostní předpisy a uznávaná pravidla techniky.
- ▶ Potřebné přípojné napětí, příkon a specifikace pro externí jištění jsou uvedeny na typovém štítku pračky. Než budete pračku připojovat k elektrické síti, přesvědčte se, že napěťové hodnoty elektrické sítě souhlasí s napěťovými údaji na typovém štítku!

Při připojení k příjnému napětí lišícímu se od typového štítku může dojít k poruchám funkce nebo k závadě pračky!

Pokud je na typovém štítku uvedeno několik hodnot napětí, tak servisní služba Miele může pračku přepnout pro připojení na příslušné hodnoty napětí.

- ▶ Napětí smí přepnout výhradně servisní služba Miele nebo pověřená specializovaná prodejna. Přitom je nutné respektovat návod na změnu zapojení uvedený ve schématu zapojení. Pračku je možné elektricky připojit buď pevně, nebo přes zásuvku podle IEC 60309-1. Pro pevné připojení musí být v místě instalace nainstalované odpojovací zařízení odpojující všechny póly sítě.

Za odpojovací zařízení sítě se považují vypínače se vzdáleností rozpojených kontaktů větší než 3 mm. Patří k nim např. proudové chrániče, jističe a stykače (IEC/EN 60947).

Odpojovací zařízení sítě (včetně zástrčky) je nutno zajistit proti neúmyslnému a neautorizovanému opětovnému zapnutí, jestliže nelze z každého přístupového místa kontrolovat trvalé přerušení přívodu energie.

Tip: Přednostně nechte pračku připojit na zástrčku, aby bylo snadněji možné provádět zkoušky elektrické bezpečnosti (např. při údržbě).

▶ Jestliže je podle místních předpisů nutné nainstalovat proudový chránič FI (RCD), musí být povinně použit chránič typu B (citlivý na všechny proudy).

Stávající proudový chránič (RCD) typu A musí být nahrazen RCD typu B.

▶ Podle místních a národních instalačních předpisů musí být případně provedeno vyrovnání potenciálů spojem s dobrým kontaktem.

Vyrovnání potenciálů je třeba provést při svodovém proudu >10 mA.

Příslušenství nutné pro vyrovnání potenciálů není součástí dodávky.

Připojení na vodu

Podle německé vyhlášky o pitné vodě musí být v Německu od 21.03.2021 při uvádění do provozu všech přístrojů, které se připojují na teplou a/nebo studenou vodu, nainstalován zpětný ventil mezi vodovodní kohoutek a přívodní hadici vody. Zpětný ventil zajišťuje, aby nemohla téci voda z přívodní hadice vody zpět do potrubí s pitnou vodou v místě instalace.

Zpětné ventily jsou součástí dodávky.

Průtočný tlak musí činit nejméně 100 kPa a nesmí překročit 1 000 kPa. Při průtočném tlaku vyšším než 1 000 kPa se musí použít redukční tlakový ventil.

Pro připojení na vodu smí být použity zásadně jen dodané přívodní hadice.

⚠ Šroubovací objímky jsou pod tlakem vodního potrubí. Pomalým otvíráním vodovodních kohoutků zkontrolujte, zda jsou přípoje utěsněné. Případně opravte usazení těsnění a šroubovací objímku.

Upozornění pro Švýcarsko

Podle normy SIA 385.351/EN 1717 a doporučení SVGW má být ve-stavěn zpětný ventil. Zpětný ventil odpovídající normám obdržíte u svého instalatéra sanitární techniky.

cs - Pokyny k instalaci

Pozor v Rakousku Pro spojovací potrubí místa připojení na přístroji s vnitřním zařízením je nutno použít pouze trubky uvedené v §12, odst.1 Nařízení k provádění zákona o zásobování vodou 1960.

Použití gumových a plastových hadic jako tlakového spojovacího potrubí mezi vnitřním zařízením a přístrojem je dovoleno jen tehdy, když:

- včetně napojených připojovacích armatur vydrží minimální trvalý tlak 1500 kPa (15 bar),
- jsou pod dostatečným dozorem během uvádění přístroje do provozu a
- jsou vždy po použití přístroje spolehlivě uvedeny mimo provoz zablokováním přívodu vody před gumovou nebo plastovou hadicí nebo vůbec odpojeny od vnitřního zařízení.

Připojení na studenou vodu

Pro připojení studené vody je vždy nutný 1 vodovodní kohoutek s vnějším závitem $\frac{3}{4}$ ". Volitelně lze použít rozdělovací přípojku (Y kus) pro připojení 2 přívodních hadic vody s objímkou se závitem $\frac{3}{4}$ " ke společnému vodovodnímu kohoutku s vnějším závitem 1".

Přívodní hadice studené vody (modré proužky) není vhodná pro připojení teplé vody.

Přípojka teplé vody

Pro zachování co nejmenší spotřeby energie během provozu s teplou vodou by pračka měla být připojena na okružní potrubí teplé vody.

Takzvaná „paprsková potrubí“ (jednotlivá potrubí k výrobě teplé vody) vedou při nestálém používání k ochlazení vody nacházející se v potrubí. Na zahřátí pracího roztoku by se pak muselo použít více elektrické energie.

Na připojení teplé vody použijte dodanou přívodní hadici (červené proužky).

Teplota natékající teplé vody smí být maximálně 70 °C.

Pokud není k dispozici potrubí teplé vody, musí být přívodní hadice pro teplou vodu připojena rovněž k napájení studenou vodou. V tomto případě je nutný Y kus navíc. Spotřeba studené vody pračky se přitom zvýší o původně potřebné množství teplé vody.

Z funkčních a technologických důvodů není možný provoz výhradně s teplou vodou.

Pračka musí být připojena na přívod studené vody, i když je k dispozici přípojka teplé vody.

Vypouštěcí ventil

U praček s vypouštěcím ventilem se vypouštění prací lázně provádí ventilem, který je poháněn motorem. Vypouštěcí ventil lze připojit přes běžné úhlové hrdlo HT DN 70 přímo na systém odpadní vody (bez sifonu) nebo na podlahový odvod vody (podlahovou výpust s pachovým uzávěrem).

Díky optimalizovanému uzavíracímu mechanismu a zvětšenému vypouštěcímu průřezu téměř nemůže docházet k vytváření usazenin a ucpávání ani při hrubých nečistotách. Aby bylo možné vyprázdnit prací vanu i při výpadku napětí, je vypouštěcí ventil pro tento výjimečný případ vybavený manuálním ovládacím zařízením.

Pro nerušené vypouštění je nutná odvětraná instalace potrubí. Pokud je připojeno několik přístrojů k jednomu sběrnému potrubí, musí mít sběrné potrubí pro současný provoz všech přístrojů průřez odpovídající velikosti.

K odvětrání trubky HT DN 70 můžete prostřednictvím servisní služby Miele nebo specializovaného obchodu Miele zakoupit vhodnou montážní sadu Miele č. m. 05 238 090.

Při příliš velkém spádu odtoku je třeba pamatovat na odvětrání trubek, aby v odtokovém systému pračky nemohlo vznikat vakuum.

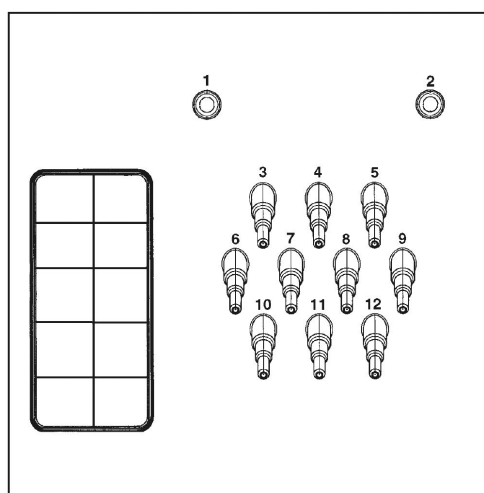
Při zpožděních odtoku vody nebo při zpětném vzduť v pracím bubnu (kvůli příliš malému průřezu potrubí) se mohou vyskytovat poruchy provádění programu, které vedou k chybovým hlášením v přístroji.

⚠ Odtékající prací lázeň může mít teplotu až 95 °C. Hrozí nebezpečí popálení!

Vyhýbejte se přímým dotykům.

Přípojky dávkovacích čerpadel

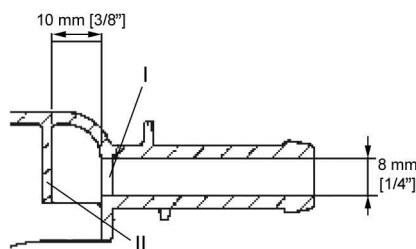
K pračce lze připojit až 12 dávkovacích čerpadel.



Přípojky dávkovacích čerpadel na zadní straně přístroje

Přípojky **1** a **2** jsou určeny pro dávkování gelových prostředků a lze je použít také pro vysokotlaká dávkovací zařízení s přívodem vody. Dávkovací zařízení musí být vybavená zvláštním zařízením pro ochranu pitné vody podle EN 61770 a EN 1717. Maximální průtok je 1 500 ml/min při maximálním průtočném tlaku 300 kPa.

Tato připojovací hrdla jsou uzavřená a před připojením musí být provrtána vrtákem o průměru 8 mm.



Uvědomte si, že smí být provrtána jen první stěna (I), protože již 10 mm za první stěnou se nachází nárazníková stěna (II).

Přípojky **3** až **12** jsou určeny pro tekuté prací prostředky. K těmto přípojkám se nesmí připojovat vysokotlaká dávkovací zařízení s přívodem vody. Připojovací hrdla jsou uzavřená a před připojením musí být malou pilkou odřezána až na průměr hadice.

Až už otevřená hrdla nebudou využívána, musí být opět uzavřena vhodným utěšňovacím materiálem (např. silikonem).

Připojení a kalibrace externích dávkovacích čerpadel se provádí přes připojovací box, který je k dostání na přání.

Pro přesné zjišťování dávkovaného množství lze alternativně připojit také průtokoměr příp. snímače průtoku.

Pro každý používaný dávkovaný prostředek jsou k dispozici přípojky pro kontrolu prázdného stavu.

Zvláštní vybavení / příslušenství k dokoupení

Součásti příslušenství se smí namontovat a vestavět jen tehdy, když jsou výslovně schválené společností Miele.

Pokud budou namontovány nebo vestavěny jiné díly, zaniká jakákoli záruka a/nebo ručení poskytované společností Miele.

Sada pro připojení tvrdé vody (APWM062)

Pračku lze pomocí sady pro připojení tvrdé vody (APWM062) dodatečně vybavit volitelnou přípojkou pro tvrdou vodu.

Díky doplňkové přípojce vody lze používat tvrdou vodu a tím zkrátit dobu trvání programu. Tvrdá voda je navíc zvláště vhodná pro závěrečná máchání.

Připojovací box APWM019/020

Pomocí připojovacího boxu lze k přístroji Miele Professional připojit externí hardware od Miele a jiných dodavatelů.

K připojovacímu boxu je možno připojit také průtokoměry pro napouštění vody (APWM065).

Vypnutí při špičce/řízení energie

Přes připojovací box lze připojit řízení vypnutí při špičce nebo řízení energie.

Vypnutí při špičce sleduje spotřebu elektrické energie objektu, aby cíleně krátkodobě deaktivovalo jednotlivé elektrické části a tím zabránilo překročení mezního zatížení. Sledování provádí externí řídicí jednotka.

Při aktivaci funkce vypnutí při špičce se odpojí topení a zastaví program. Na displeji se pak objeví odpovídající hlášení.

Po skončení funkce vypnutí při špičce program automaticky pokračuje jako dosud.

Přípojka pro dávkování tekutých prostředků

Pro dávkování tekutých pracích prostředků lze používat externí dávkovací čerpadla tekutých prostředků se snímáním prázdného stavu nebo s průtokoměry (flowmeter).

Dávkovací čerpadla může programovat jen servisní služba Miele pomocí MDU.

Při používání a kombinování pomocných pracích prostředků a speciálních produktů bezpodmínečně dbejte pokynů k použití výrobců.

Inkasní přístroj

Pračka může být vybavena připojovacím boxem s inkasním systémem jako příslušenstvím k dokoupení.

Potřebné naprogramování je možno provést během prvního uvádění do provozu. Po skončení prvního uvedení do provozu může změny provádět jen specializovaný obchod Miele nebo servisní služba Miele.

cs - Pokyny k instalaci

Rozhraní WiFi/ LAN

Pračka je vybavená rozhraním WiFi/LAN pro výměnu dat.


Datové rozhraní na přípojce LAN odpovídá SELV (malé napětí) podle EN 60950. Připojení k LAN se provádí zástrčkou RJ45 dle EIA/TIA 568B.

Připojené přístroje musí rovněž odpovídat SELV.

Podstavec (APWM029/033)

Pračku lze volitelně umístit s podstavcem (jako příslušenstvím Miele k dokoupení v otevřeném nebo uzavřeném provedení).

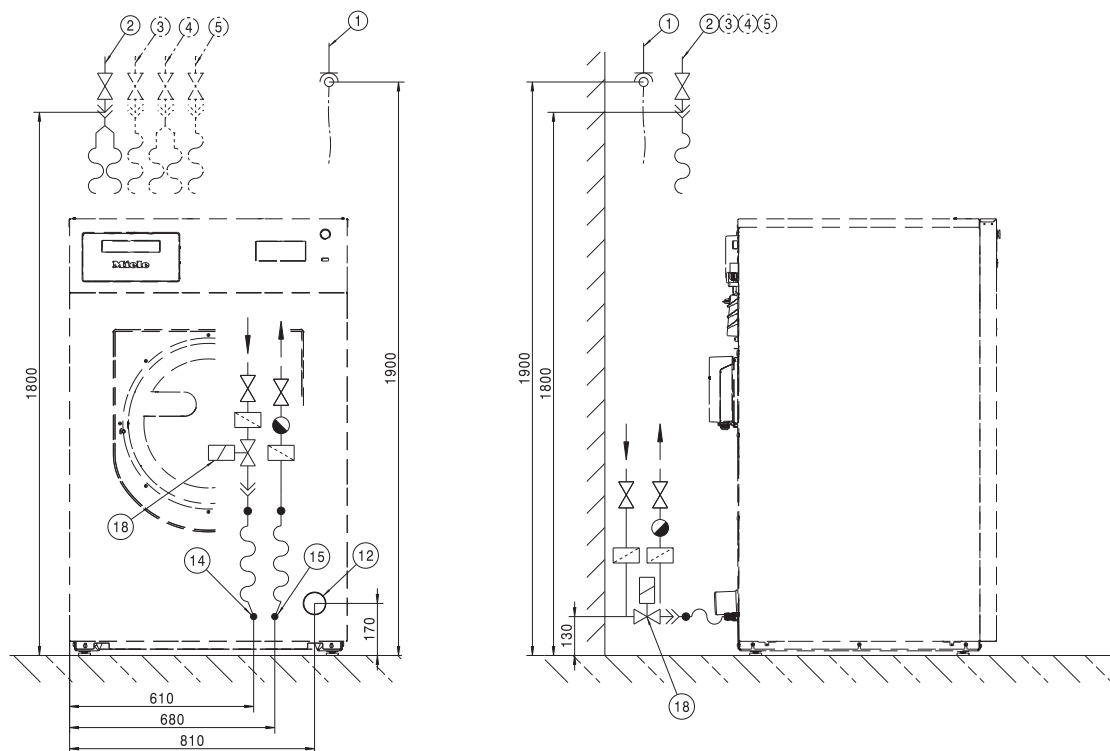
Zvýšená poloha pračky zajišťuje ergonomičtější práci při plnění a vyprazdňování. Současně umožňuje jednoduchou instalaci přípojky odpadní vody.

 Po umístění musí být pračka na podstavci bezpodmínečně upevněna! Podstavec musí být upevněn na podlaze!
Bez upevnění hrozí nebezpečí, že pračka při odstředování spadne.

Sada pro odvádění par a pěny (APWM 063)

Při intenzivnější tvorbě pěny může pěna vystupovat z odtahu výparů. Pro odvádění pěny je možné nasadit volitelnou montážní sadu Odvod výparů a pěny (BWS).

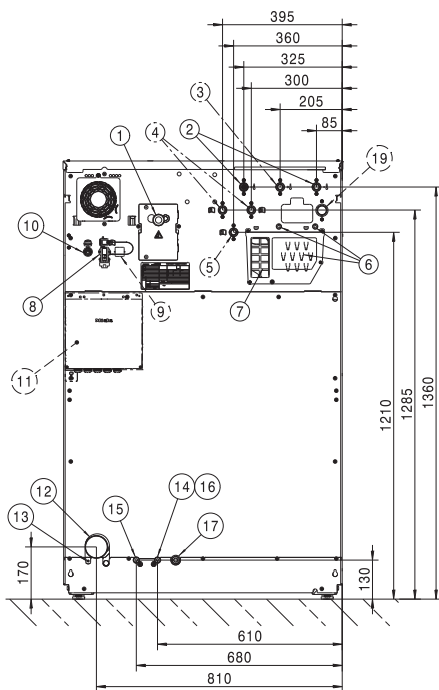
Standard SI



Rozměry v milimetrech

- | | |
|---|------------------------------|
| ① Elektrická přípojka | ⑫ Vypouštěcí trubka |
| ② Přípojka studené vody | ⑬ Přípojka SI, přítok |
| ③ Přípojka teplé vody | ⑭ Přípojka SI, odtok jen SI |
| ④ Přípojka studené tvrdé vody (volitelně) | ⑮ Ventil pro páru, jen SI/SD |
| ⑤ Přípojka studené vody pro dávkování tekutých prostředků | |

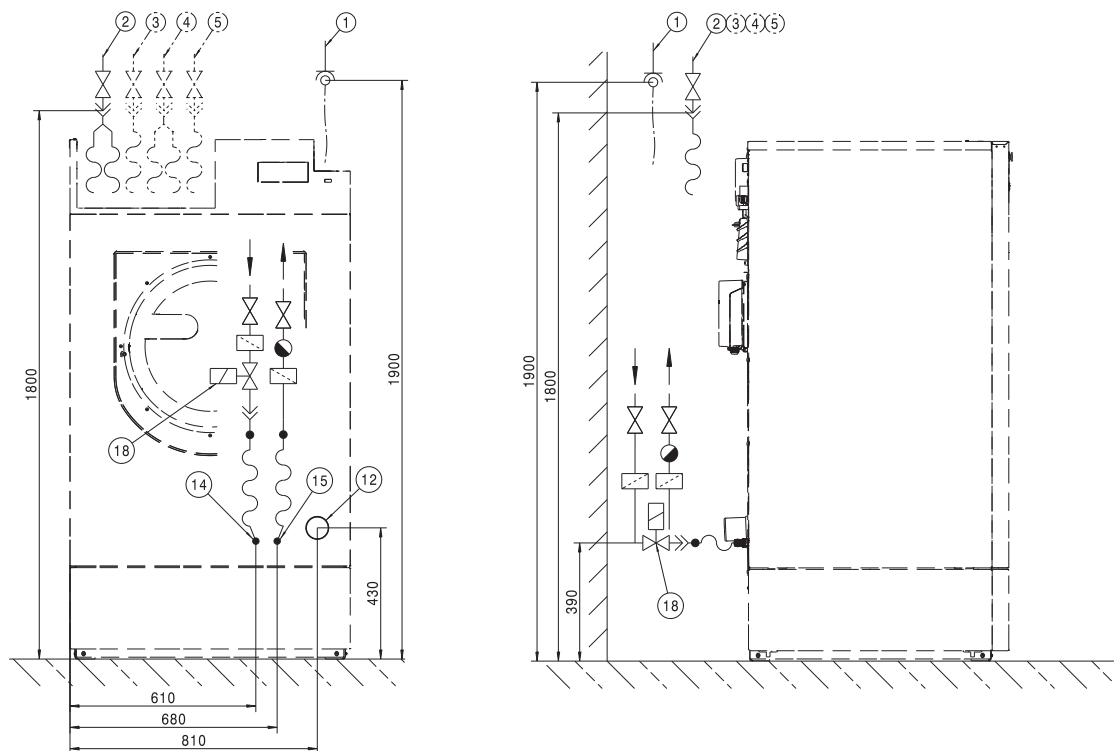
cs - Instalace



Rozměry v milimetrech

- ① Elektrická přípojka
- ② Přípojka studené vody
- ③ Přípojka teplé vody
- ④ Přípojka studené tvrdé vody (volitelně)
- ⑤ Přípojka studené vody pro dávkování tekutých prostředků
- ⑥ Přípojky dávkovacích čerpadel
- ⑦ Přepad a odvětrání
- ⑧ Přípojka pro připojovací box
- ⑨ Přípojka pro připojovací soupravu (volitelně)
- ⑩ Přípojka LAN
- ⑪ Připojovací box (volitelně)
- ⑫ Vypouštěcí trubka
- ⑬ Přípoj pro vyrovnání potenciálů
- ⑭ Přípojka SI, přítok
- ⑮ Přípojka SI, odtok jen SI
- ⑯ Přípojka SD (pára přímo)
- ⑰ Přípojka ventilu pro páru, jen SI/SD
- ⑱ Přípojka pro rekuperaci vody (volitelně)

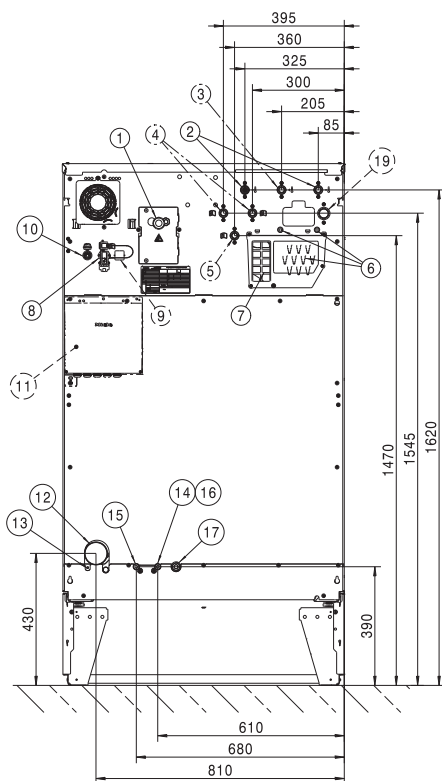
Sokl SI



Rozměry v milimetrech

- | | |
|---|------------------------------|
| ① Elektrická přípojka | ⑫ Vypouštěcí trubka |
| ② Přípojka studené vody | ⑬ Přípojka SI, přítok |
| ③ Přípojka teplé vody | ⑭ Přípojka SI, odtok jen SI |
| ④ Přípojka studené tvrdé vody (volitelně) | ⑮ Ventil pro páru, jen SI/SD |
| ⑤ Přípojka studené vody pro dávkování tekutých prostředků | |

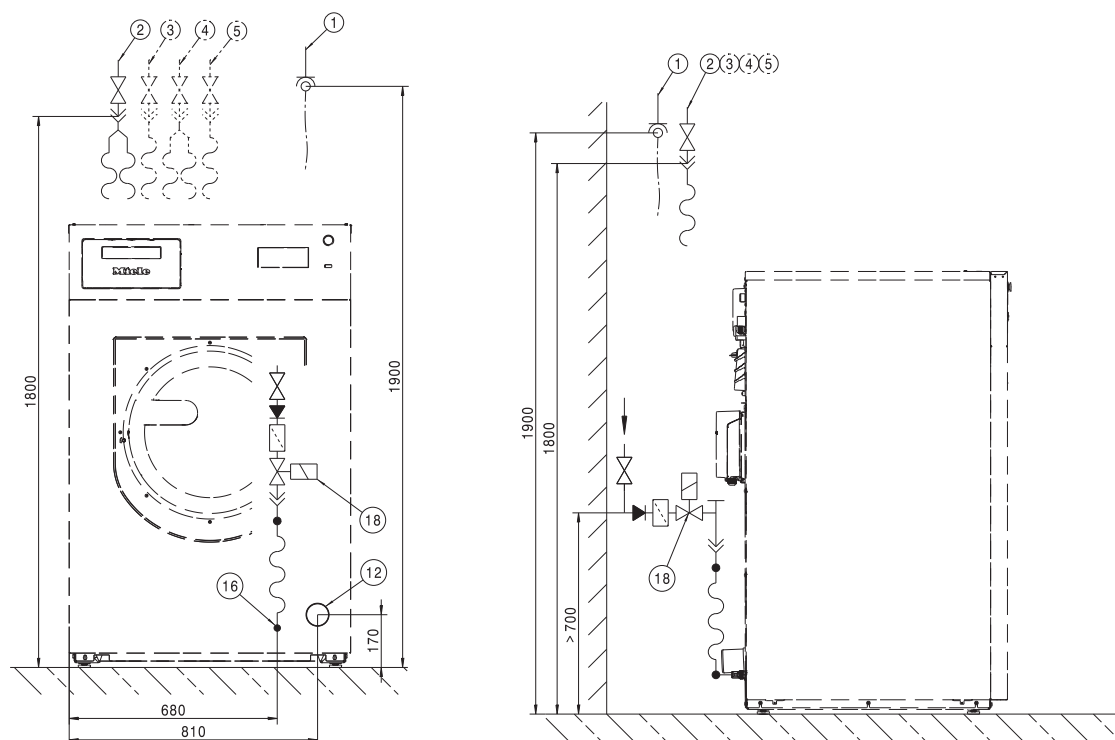
cs - Instalace



Rozměry v milimetrech

- ① Elektrická přípojka
- ② Přípojka studené vody
- ③ Přípojka teplé vody
- ④ Přípojka studené tvrdé vody (volitelně)
- ⑤ Přípojka studené vody pro dávkování tekutých prostředků
- ⑥ Přípojky dávkovacích čerpadel
- ⑦ Přepad a odvětrání
- ⑧ Přípojka pro připojovací box
- ⑨ Přípojka pro připojovací soupravu (volitelně)
- ⑩ Přípojka LAN
- ⑪ Připojovací box (volitelně)
- ⑫ Vypouštěcí trubka
- ⑬ Pripoj pro vyrovnání potenciálů
- ⑭ Přípojka SI, přítok
- ⑮ Přípojka SI, odtok jen SI
- ⑯ Přípojka SD (pára přímo)
- ⑰ Přípojka ventilu pro páru, jen SI/SD
- ⑱ Přípojka pro rekuperaci vody (volitelně)

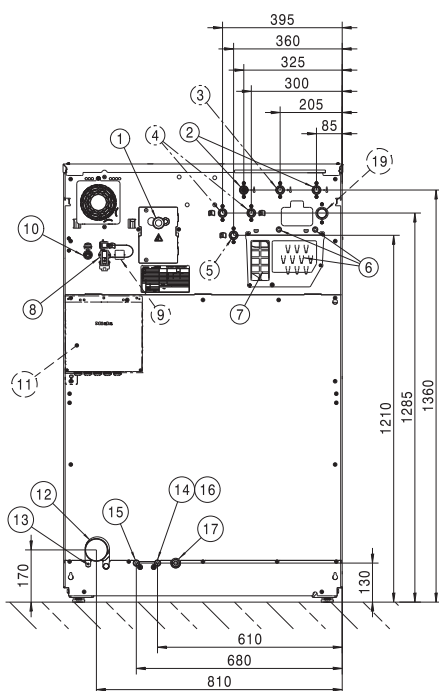
Standard SD



Rozměry v milimetrech

- | | |
|---|--|
| ① Elektrická přípojka | ⑤ Přípojka studené vody pro dávkování te-
kutých prostředků |
| ② Přípojka studené vody | ⑫ Vypouštěcí trubka |
| ③ Přípojka teplé vody | ⑯ Přípojka SD (pára přímo) |
| ④ Přípojka studené tvrdé vody (volitelně) | ⑱ Ventil pro páru, jen SI/SD |

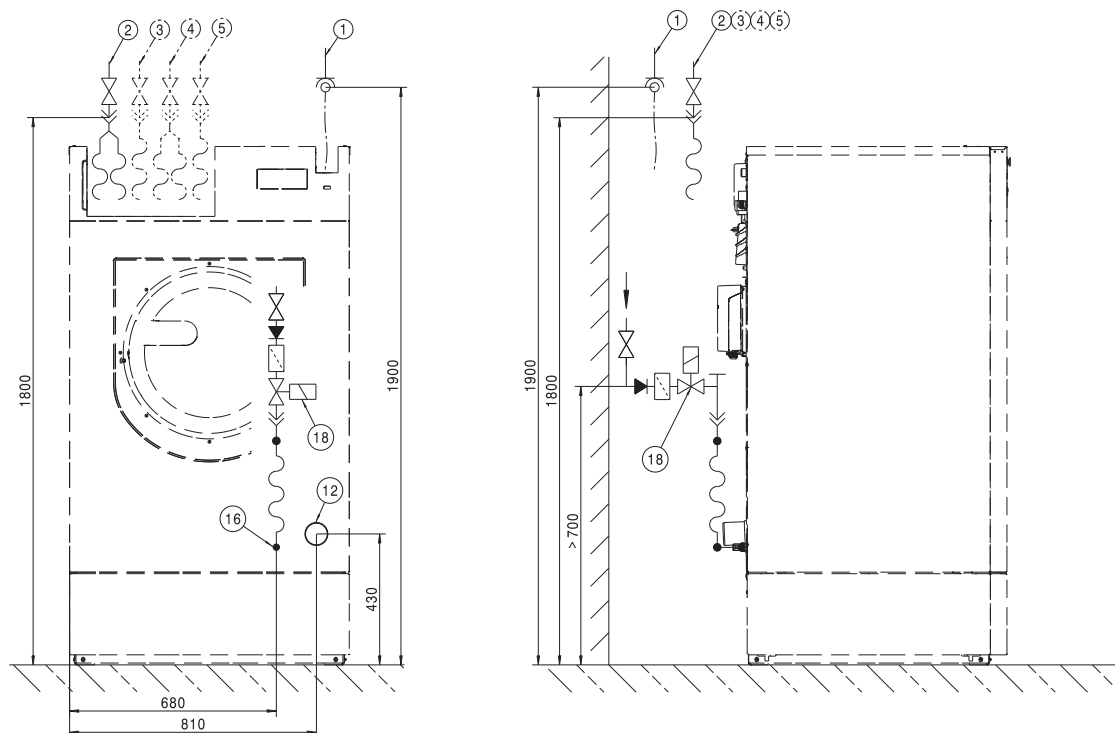
cs - Instalace



Rozměry v milimetrech

- | | |
|---|--|
| ① Elektrická přípojka | ⑩ Přípojka LAN |
| ② Přípojka studené vody | ⑪ Připojovací box (volitelně) |
| ③ Přípojka teplé vody | ⑫ Vypouštěcí trubka |
| ④ Přípojka studené tvrdé vody (volitelně) | ⑬ Přípoj pro vyrovnání potenciálů |
| ⑤ Přípojka studené vody pro dávkování tekutých prostředků | ⑭ Přípojka SI, přítok |
| ⑥ Přípojky dávkovacích čerpadel | ⑮ Přípojka SI, odtok jen SI |
| ⑦ Přepad a odvětrání | ⑯ Přípojka SD (pára přímo) |
| ⑧ Přípojka pro připojovací box | ⑰ Přípojka ventilu pro páru, jen SI/SD |
| ⑨ Přípojka pro připojovací soupravu (volitelně) | ⑱ Přípojka pro rekuperaci vody (volitelně) |

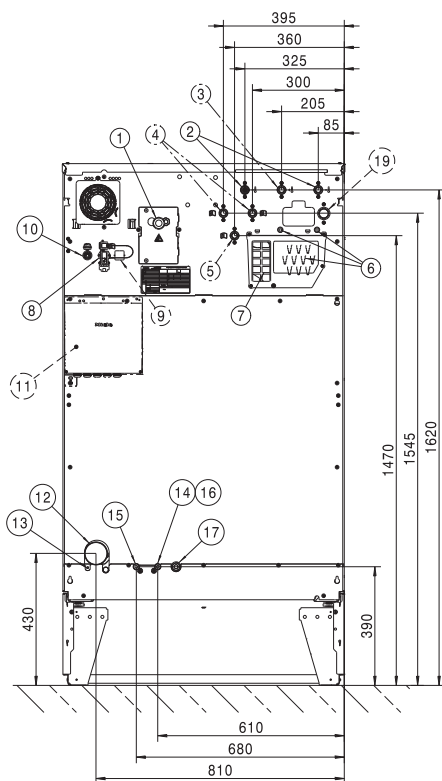
Sokl SD



Rozměry v milimetrech

- | | |
|---|--|
| ① Elektrická přípojka | ⑤ Přípojka studené vody pro dávkování te-
kutých prostředků |
| ② Přípojka studené vody | ⑫ Vypouštěcí trubka |
| ③ Přípojka teplé vody | ⑯ Přípojka SD (pára přímo) |
| ④ Přípojka studené tvrdé vody (volitelně) | ⑱ Ventil pro páru, jen SI/SD |

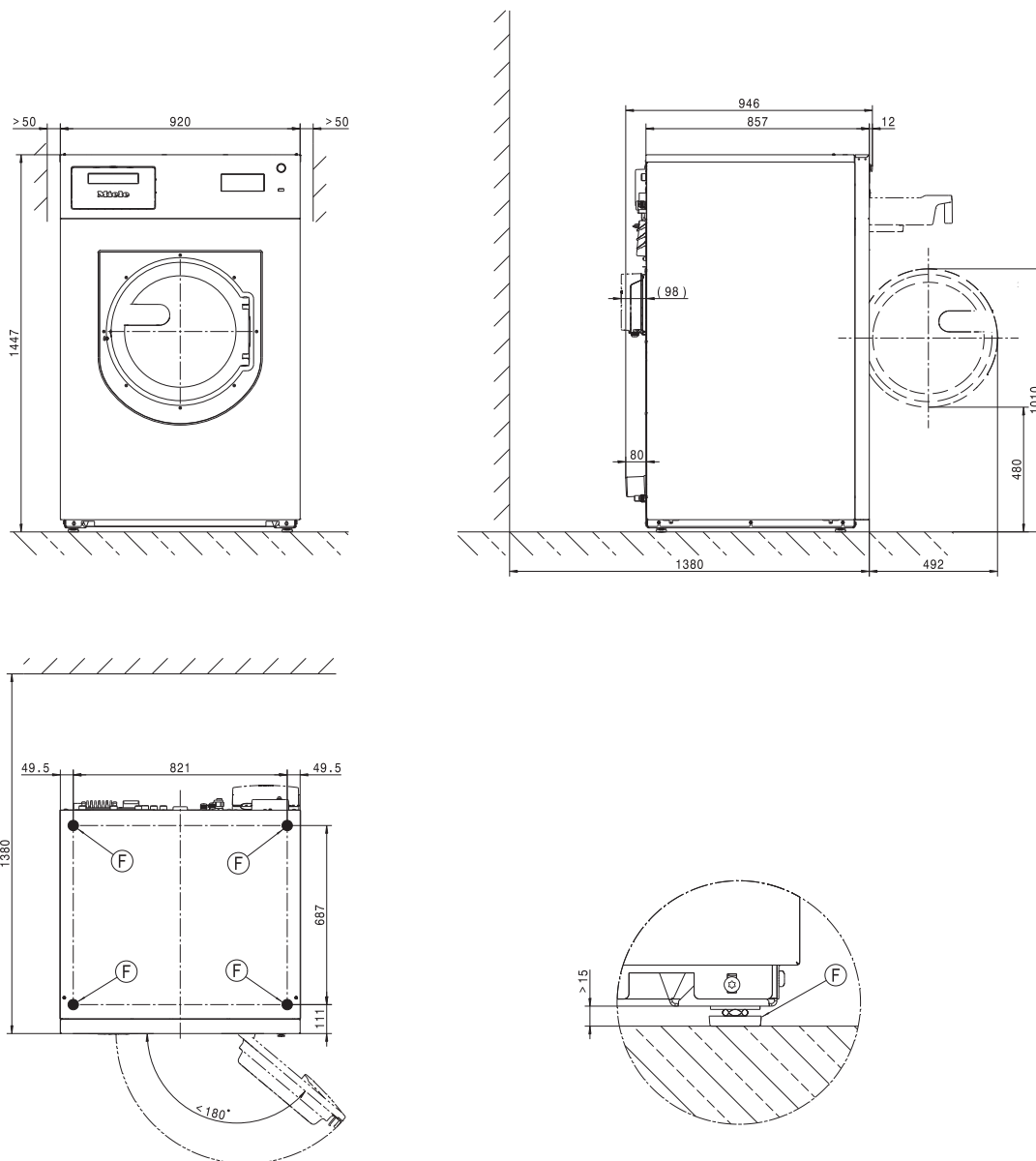
cs - Instalace



Rozměry v milimetrech

- | | |
|---|--|
| ① Elektrická přípojka | ⑩ Přípojka LAN |
| ② Přípojka studené vody | ⑪ Připojovací box (volitelně) |
| ③ Přípojka teplé vody | ⑫ Vypouštěcí trubka |
| ④ Přípojka studené tvrdé vody (volitelně) | ⑬ Příklad pro vyrovnání potenciálů |
| ⑤ Přípojka studené vody pro dávkování tekutých prostředků | ⑭ Přípojka SI, přítok |
| ⑥ Přípojky dávkovacích čerpadel | ⑮ Přípojka SI, odtok jen SI |
| ⑦ Přepad a odvětrání | ⑯ Přípojka SD (pára přímo) |
| ⑧ Přípojka pro připojovací box | ⑰ Přípojka ventilu pro páru, jen SI/SD |
| ⑨ Přípojka pro připojovací soupravu (volitelně) | ⑱ Přípojka pro rekuperaci vody (volitelně) |

Standard

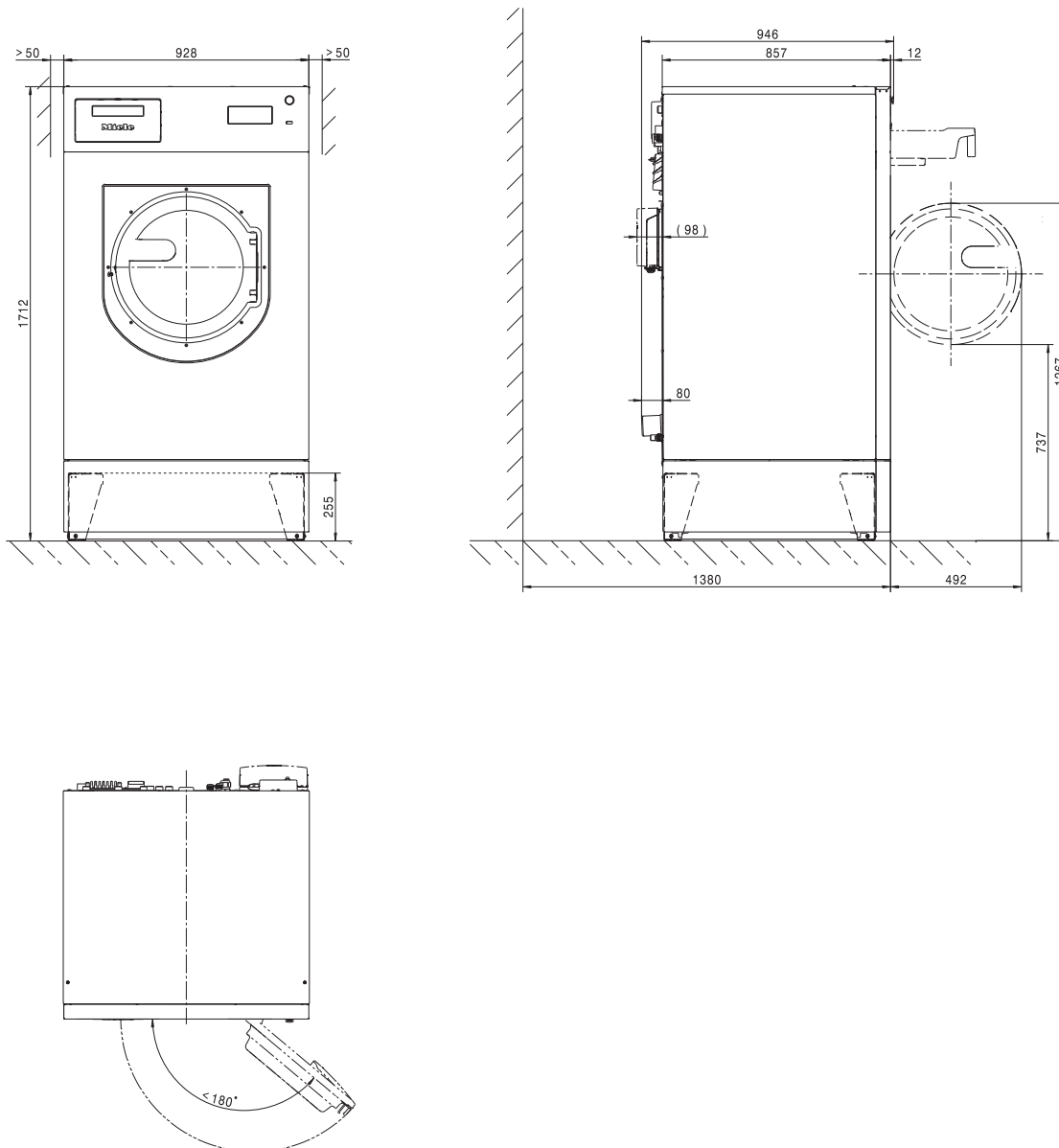


Rozměry v milimetrech

ⓕ Noha

cs - Umístění

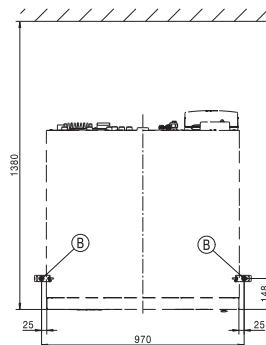
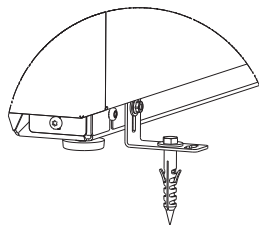
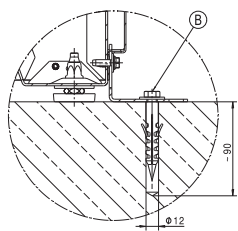
Sokl



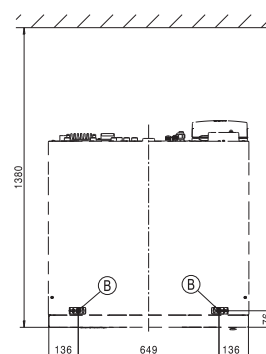
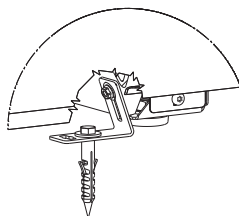
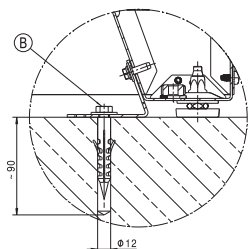
Rozměry v milimetrech

Upevnění do podlahy

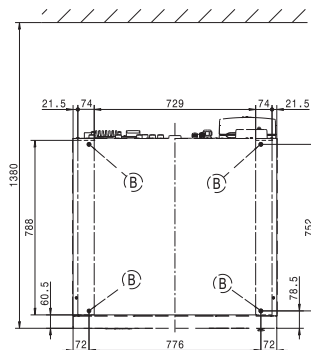
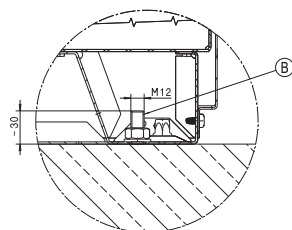
Standard



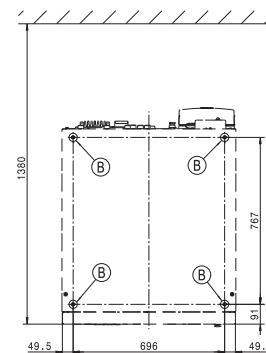
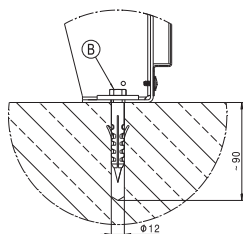
Při instalaci v řadě



Marine



Sokl



Rozměry v milimetrech

ⓑ Šroub/bod upevnění

cs - Technické údaje

Varianty napětí a elektrické údaje

3N AC 400 V SI/SD

Napájecí napětí	3N AC 400 V
Frekvence	50/60 Hz
Potřebné jištění (v místě instalace)	16 A
Příkon	3,1 kW
Minimální průřez přívodního kabelu	1,5 mm ²

Připojení vody

Přípojka studené vody

Potřebný průtočný tlak	100 - 1000 kPa (1 - 10 bar)
Max. průtok	31,5 l/min
Potřebný přípojovací závit (vnější závit, v místě instalace dle DIN 44991, s plochým těsněním)	3 x 3/4"
Délka dodané přívodní hadice	3 x 1550 mm

Přípojka teplé vody

Max. přípustná teplota teplé vody	70 °C
Potřebný průtočný tlak	100 - 1000 kPa (1 - 10 bar)
Max. průtok	16 l/min
Potřebný přípojovací závit (vnější závit, dle DIN 44991, s plochým těsněním)	1 x 3/4"
Délka dodané přívodní hadice	1550 mm

Přípojka horké vody (u variant bez ohřevu nebo s redukováným topným výkonem)

Max. přípustná teplota horké vody	90 °C
Potřebný průtočný tlak	100 - 1000 kPa (1 - 10 bar)
Max. průtok	16 l/min
Potřebný přípojovací závit (vnější závit, dle DIN 44991, s plochým těsněním)	1 x 1"
Délka dodané přívodní hadice	1550 mm

Přípojka tvrdé vody (volitelně)

Potřebný průtočný tlak	100 - 1000 kPa (1 - 10 bar)
Max. průtok	32 l/min
Potřebný přípojovací závit (vnější závit, dle DIN 44991, s plochým těsněním)	2 x 3/4"
Délka dodané přívodní hadice	2 x 1550 mm

Nepřímý parní ohřev

Topný výkon (instalovaný výkon)	27 kW
Přípojovací závit (v místě instalace)	2 x 1/2"
Magnetický ventil pro páru, filtr nečistot a uzavírací ventil páry musí být namontovány v místě instalace. Dbejte instalačního návodu pro přístroje s parním ohřevem.	

Přímý parní ohřev

Topný výkon (instalovaný výkon, vysoký tlak)	37 kW
Přípojovací závit (v místě instalace)	1 x 1/2"
Magnetický ventil pro páru, filtr nečistot a uzavírací ventil páry musí být namontovány v místě instalace. Dbejte instalačního návodu pro přístroje s parním ohřevem.	

Odtok odpadní vody

max. teplota odpadní vody	95 °C
přípojka odpadní vody (na přístroji)	plastová trubka HT DN 70
odtok (v místě instalace)	spojka DN 70
max. rychlost vypouštění	200 l/min

Přípoj pro vyrovnání potenciálů

vnější závit	M10
vějšířové podložky	M10

Instalační rozměry

šířka pláště (bez namontovaných dílů)	920 mm
výška pláště (bez namontovaných dílů)	1447 mm
hloubka pláště (bez namontovaných dílů)	857 mm
celková šířka přístroje	924 mm
celková výška přístroje	1450 mm
celková hloubka přístroje	946 mm
minimální šířka otvoru pro přepravu	1020 mm
minimální vzdálenost mezi stěnou a čelem přístroje	1380 mm
průměr otvoru pro dvířka	415 mm
úhel otevření dvířek	180°

Upevnění

Standard

potřebné upevňovací body	2
vrut DIN 571 (průměr x délka)	12 mm x 90 mm
hmoždinka (průměr x délka)	16 mm x 80 mm

S podstavcem (APWM UO/UG)

Potřebné upevňovací body	4
Vrut DIN 571 (průměr x délka)	12 mm x 90 mm
Hmoždinka (průměr x délka)	16 mm x 80 mm

Betonový sokl

potřebné upevňovací body	2
vrut DIN 571 (průměr x délka)	12 mm x 90 mm
hmoždinka (průměr x délka)	16 mm x 80 mm

cs - Technické údaje

Přepravní údaje, hmotnost a zatížení podlahy

Varianty přístroje se zásuvkou pracích prostředků (DD)

Šířka obalu	10210 mm
Výška obalu	1585 mm
Hloubka obalu	1130 mm
Objem brutto	2168 l
Hmotnost brutto*	410 kg
Hmotnost netto*	390 kg
Max. zatížení podlahy za provozu	5765 N







*podle vybavení

Údaje o emisích

hladina akustického tlaku na pracovišti, praní	51 dB (A)
hladina akustického výkonu, praní	60,0 dB (A)
hladina akustického tlaku na pracovišti, odstředování	65 dB (A)
hladina akustického výkonu, odstředování	76,0 dB (A)
průměrný odvod tepla do prostoru instalace	6,48 MJ/h

Telepítési útmutató	52
A biztonsági utasítások és a gépen elhelyezett figyelmeztetések magyarázata	52
Telepítési feltételek	52
Általános üzemeltetési feltételek	52
Felállítás.....	52
Beton lábazatra való felállítás.....	53
Beállítás	53
Rögzítés.....	54
Villamos csatlakozás	54
Vízcsatlakozás	55
Svájcra vonatkozó tudnivaló	55
Ausztriára vonatkozó szabályok.....	56
Hidegvíz-csatlakozás	56
Melegvíz-csatlakozás	56
Leeresztőszelep.....	56
Adagoló szivattyú csatlakozásai	57
Utólag vásárolható tartozékok.....	58
Szerelő készlet a keményvizes csatlakozáshoz (APWM062)	58
Connector-Box APWM019/020.....	58
Wi-Fi-/LAN-interfész.....	60
Aláépítő lábazat (APWM029/033).....	60
Pára- és habelvezetés szerelőkészlet (APWM 063).....	60
Beszerelés	61
Standard SI.....	61
SI lábazat.....	63
Standard SD	65
SD lábazat	67
Installálás	69
Standard	69
Lábazat.....	70
Rögzítés a padlón.....	71
Műszaki adatok	72
Feszültségváltozatok és villamos adatok	72
Vízcsatlakozás	72
Hidegvíz-csatlakozás	72
Melegvíz-csatlakozás	72
Forróvíz-csatlakozás (fűtés nélküli vagy csökkentett fűtési teljesítményű változatoknál).....	72
Keményvizes csatlakozás (opcionális)	72
Közvetett gőzfűtés.....	72
Közvetlen gőzfűtés	73
Szennyvízlefolyó	73
A potenciálkiegyenlítés csatlakozója.....	73
Telepítési méretek.....	73
Rögzítés.....	73
Szállítási adatok, súly és padlóterhelés.....	74
Készülékváltozatok mosószer-adagoló fiókkal (DD).....	74
Kibocsátási adatok.....	74

A biztonsági utasítások és a gépen elhelyezett figyelmeztetések magyarázata

	Olvassa el ezt a használati útmutatót
	Olvassa el az utasításokat, például a telepítési útmutatót
	Vigyázat, forró felületek
	Vigyázat, akár 1000 Volt feszültség
	Földelés
	Potenciálkiegyenlítés

Telepítési feltételek

A mosógépet csak a Miele vevőszolgálat, vagy egy arra feljogosított szakkereskedő betanított személyzete telepítheti.

- ▶ A mosógép telepítése csak az érvényes szabályok és szabványok szerint történhet. Ezen felül a helyi energiaszolgáltató és vízmű előírásait is figyelembe kell venni.
- ▶ Csak kielégítően szellőztetett és fagyásveszélynek ki nem tett helyiségekben üzemeltesse a mosógépet.

A mosógép nem alkalmas robbanásveszélyes területen való alkalmazásra.

Általános üzemeltetési feltételek

Ezt a mosógépet kizárólag ipari alkalmazásra tervezték és csak beltérben üzemeltethető.

- Környezeti hőmérséklet: 0-40 °C
- Relatív páratartalom: nem kondenzálódó
- Maximális tengerszint feletti telepítési magasság: 2000 m

A felállítási hely kialakításától függően felléphet a hang ill. a rezgés átvitele.

Tanács: Szigorúbb zajvédelmi követelmények esetén kérje ki szakember véleményét a készülék felállítási helyének zajvédelméről.

Felállítás

Szállítsa a mosógépet egy emelőkocsival a felállítási helyre és távolítsa el a szállítási csomagolást.

A mosógépet teljesen sík és vízszintes felületen kell felállítani, ami legalább a megadott talajterhelésnek ellenáll (lásd a „Műszaki adatok“ fejezetet).

Tanács: Felállítási felületként a leginkább egy beton padlózat alkalmas. Ez a készülék centrifugálásnál a fagerenda-padlózattal vagy más „puha“ tulajdonságú padlózattal ellentétben csak ritkán jön rezgésbe.

A mosógép általi padlóterhelés felületi terhelésként hat a talpazat területén a felállítási felületre.

A készülék üzem közbeni dinamikus mozgásai miatt a mosógép legalább 50 mm-es oldalsó távolságot igényel. A hátdali fal és a készülék hátlapja között legalább 400 mm távolságot kell biztosítani.

A mosógép nem állítható fel szőnyegpadlón.

Rögzítse a mosógépet a szállítási tartozékként mellékelt rögzítőanyaggal a négy erre a célra szolgáló rögzítési ponton keresztül.


A mellékelt rögzítőanyagok a betonpadlóban való tiplis rögzítésre vannak kialakítva. Ha a felállítási helyen más padlószerkezet van, a rögzítőanyagokat kivitelezéskor kell biztosítani.

Beton lábazatra való felállítás

A mosógépet opcionálisan egy beton lábazatra is fel lehet állítani.

A beton lábazat betonminőségét és szilárdságát a „Műszaki adatok“ fejezetben megadott talajterhelésre kell méretezni.

- Ügyeljen arra, hogy a beton lábazatnak kellő tapadása legyen és a mosógéptől kiinduló terheléseknek ellenálljon, hogy a készülék stabilitása biztosítva legyen.
- A lábazati felállítást követően feltétlenül rögzítse a mosógépet a vele szállított rögzítő anyaggal.

 A felállítást követően a mosógépet a beton talpazaton feltétlenül rögzíteni kell!

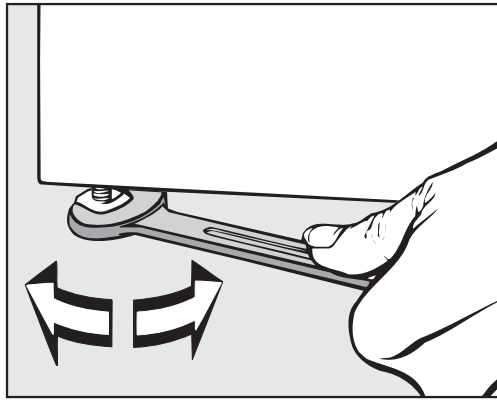
A rögzítés nélkül fennáll a veszélye, hogy a mosógép a centrifugálásnál a lábazatról leesik.

Beállítás

- A felállítást követően állítsa vízszintbe a mosógépet az állítható lábak és egy vízmérték segítségével hossz- és keresztirányban is.

Az automata mosógépnek vízszintesen és mind a négy lábán egyenletesen kell állnia ahhoz, hogy a kifogástalan és energiahatékony működés biztosítva legyen. Máskülönben megnő a víz- és energiafogyasztás és a mosógép elvándorolhat.

- A beállítást követően húzza meg az ellenanyákat egy csavarkulccsal az óramutató járásával ellentétes irányba, hogy a lábak ne állíthatóak el.



Rögzítés

- Rögzítse a mosógépet a helyzetbiztosításhoz a vele szállított rögzítő anyaggal a készüléklábakon keresztül.

A vele szállított rögzítő anyag beton padlóban való tiplis rögzítésre van kialakítva. Ha a felállítási helyen más padló szerkezet van, a rögzítő anyagot külön meg kell rendelni.

Villamos csatlakozás

A villamos csatlakozást kizárólag képzett villamos szakember végezheti, aki az érvényes szabványok és villanszerelési előírások betartásáért felelős.

- ▶ A mosógépet olyan villamos hálózatra kell csatlakoztatni, ami a nemzeti és a helyi előírások szerint lett kivitelezve. Ezen felül az illetékes energiaszolgáltató vállalatok és biztosítók előírásait, a balesetvédelmi előírásokat, valamint a technika elismert szabályait figyelembe kell venni.
- ▶ A szükséges hálózati feszültség, a teljesítményfelvétel és a külső biztosítékra vonatkozó előírás a mosógép adattábláján található. Győződjön meg róla, hogy a villamos hálózat feszültségértékei az adattáblán lévő feszültség előírásokkal megegyeznek-e, mielőtt a mosógépet a villamos hálózatra csatlakoztatná.

Az adattáblától eltérő csatlakozási feszültségre való csatlakoztatás a mosógép működési zavarait, vagy meghibásodását okozhatja!

Ha az adattáblán több feszültségérték van bejegyezve, akkor a mosógépet a megfelelő feszültségértékre való csatlakoztatáshoz a Miele vevőszolgálat átkapcsolhatja.

- ▶ A feszültség-átkapcsolást kizárólag a Miele vevőszolgálat, vagy a feljogosított szakkereskedés végezheti. Ez esetben a kapcsolási rajz áthuzalozási utasításait figyelembe kell venni.
A mosógépet vagy fix bekötéssel, vagy az IEC 60309-1 szerinti dugós csatlakozáson keresztül lehet csatlakoztatni. Fix bekötéshez a felállítási helyen egy minden pólusú hálózati megszakítót kell telepíteni.

Hálózatleválasztó berendezésnek több, mint 3 mm-es érintkező nyitási kapcsolók számítanak. Ide tartoznak pl. a kismegszakítók, biztosítók és mágneskapcsolók (IEC/EN 60947).

A hálózatleválasztó berendezést (beleértve a dugós csatlakozót) akaratlan és jogosulatlan visszakapcsolás ellen biztosítani kell, ha az állandó megszakítás nem minden elérési helyről felügyelhető.

Tanács: A mosógép csatlakoztatásánál részesítse előnyben a dugós csatlakozást, hogy a villamos biztonsági ellenőrzéseket egyszerűbben lehessen elvégezni (pl. karbantartás közben).

► Amennyiben a helyi előírások szerint hibaáram-védőkapcsolót (RCD) kell beszerezni, akkor kötelezően B típusú hibaáram-védőkapcsolót (minden áramra érzékeny) kell használni.

A meglévő A típusú hibaáram-védőkapcsolót (RCD) B típusú RCD-re kell kicserélni.

► A helyi és nemzeti telepítési előírásoknak megfelelően adott esetben jó érintkezésű potenciálkiegyenlítést kell kialakítani.

A potenciálkiegyenlítést 10 mA-nél nagyobb levezető áram esetén kell elvégezni.

A potenciálkiegyenlítéshez szükséges tartozékok nem képezik a szállítás részét.

Vízcsatlakozás

A német ivóvízről szóló rendeletnek megfelelően Németországban 2021.03.21-től a meleg- és/vagy hideg vízre csatlakoztatott összes készülék üzembe helyezésénél a vízcsap és a vízbevezető tömlő közé visszafolyást megakadályozó elemet kell beszerezni. A visszafolyást megakadályozó elem biztosítja, hogy ne folyjon vissza víz a vízbevezető tömlőből a helyszínen kialakított vízvezetékbe.

A visszafolyást megakadályozó elemet a szállítási csomag tartalmazza.

A hálózati víznyomás legalább 100 kPa legyen, és nem lépheti túl az 1000 kPa nyomást. Ha a hálózati víznyomás meghaladja az 1000 kPa értéket nyomáscsökkentő szelepet kell használni.

A vízcsatlakozáshoz alapvetően csak a géppel együtt szállított vízbevezető tömlőket szabad használni.

⚠ A csavaros kötések hálózati víznyomás alatt állnak.

A vízcsapokat lassan megnyitva ellenőrizze, hogy a csatlakozások tömítve vannak-e. Adott esetben korrigálja a tömítés és a csavarozás illeszkedését.

Svájcra vonatkozó tudnivaló

A SIA 385.351/EN 1717 szabvány, valamint az SVGW javaslat szerint be kell építeni egy visszafolyást megakadályozó elemet. A szabványnak megfelelő visszafolyást megakadályozó elemet a vízvezeték szerelőtől szerezheti be.

Ausztriára vonatkozó szabályok

A csatlakozási hely összekötő vezetéke számára a készüléktől a belső berendezésig csak az 1960-as Vízellátási törvény Végrehajtási rendelete 12. §, 1. bekezdésében felsorolt csöveket szabad használni.

A gumi és műanyag tömlők nyomás alatti összekötő vezetékként való használata a készülék és a belső berendezés között csak akkor engedélyezett, ha azok:

- a beépített csatlakozó szerelvényekkel együtt 1500 kPa (15 bar) minimális tartós nyomásnak ellenállnak,
- a készülék üzembe helyezése során kellően megvizsgálták őket és
- a készülék mindenkorai használatát követően a gumi, vagy műanyag tömlő előtt megbízhatóan üzemben kívül helyezésre, vagy a belső berendezéstől leválasztásra kerül.

Hidegvíz-csatlakozás

A hidegvíz bekötéshez minden esetben szükség van egy $\frac{3}{4}$ "-os külső menetes vízcsapra. Másik lehetőségként egy csatlakozó elosztó (Y-idom) is használható, hogy két, $\frac{3}{4}$ "-os csavarzattal rendelkező vízbevezető tömlőt egy 1"-os külső menettel ellátott közös vízcsapra csatlakoztassunk.

A hideg víz vízbevezető tömlője (kék csík) nem alkalmas a melegvíz bekötésre.

Melegvíz-csatlakozás

A melegvízes üzem energiafogyasztásának lehető legkisebb szinten tartásához a mosógépet egy melegvíz-körvezetékre kellene csatlakoztatni.

Az ún. „leágazó vezetékek“ (a melegvíz-termelő egyedi vezetékei) nem folyamatos használat esetén a vezetékben lévő víz lehűléséhez vezetnek. A mosóvíz felmelegítéséhez ekkor több villamos energiát kellene használni.

A melegvíz-csatlakoztatásra a mellékelt vízbevezető tömlőt használja (piros csík).

A betáp melegvíz hőmérséklete legfeljebb 70 °C lehet.

Amennyiben nincs melegvízvezeték, a melegvíz vízbevezető tömlőjét is a hidegvízellátásra kell csatlakoztatni. Ebben az esetben egy további Y-idomra van szükség. A mosógép hidegvíz-felhasználása ekkor az eredetileg szükséges melegvíz mennyiségével nő.

Funkcionális és eljárás-technikai okokból a kizárólag melegvízes üzem nem lehetséges.

A mosógépet meglévő melegvízes csatlakozás esetén is csatlakoztatni kell egy hidegvízes tápvezetékre.

Leeresztőszelep

A leeresztőszeleppel ellátott mosógép esetén a mosóvíz lefolyása egy motoros meghajtású szelepen keresztül történik. A leeresztőszelepet egy kereskedelemben kapható HT DN 70 könyökcsonkon keresztül közvetlenül (szifon nélkül) lehet a szennyvízrendszerre, vagy egy talajvíztelenítőre (víznyelő akna szagelzáróval) csatlakoztatni.

Az optimalizált záró mechanizmus és egy megnövelt lefolyó-keresztmetszet révén durva szennyeződés esetén is alig tudnak lerakódások, eldugulások képződni. Ahhoz, hogy a mosóvíztartály feszültség-kimaradás esetén is leüríthető legyen, a leeresztőszelep el van látva egy kézi működtető berendezéssel a kivételes esetre.

A zavartalan lefolyáshoz levegőztetett vezetékre van szükség.

Amennyiben több készülék egy gyűjtővezetékre van csatlakoztatva, a gyűjtővezetéknek valamennyi készülék egyidejű üzemének megfelelő méretű keresztmetszettel kell rendelkezni.

Egy HT DN 70-es cső szellőztetéséhez az odaillő, 05 238 090 anyagszámú Miele szerelőkészletet a Miele vevőszolgálaton, vagy a Miele szakkereskedőkön keresztül lehet beszerezni.

Amennyiben túl magasról folyik le a víz, akkor csőszellőzést kell be tervezni, hogy a mosógép vízelvezető rendszerében ne keletkezzen vákuum.

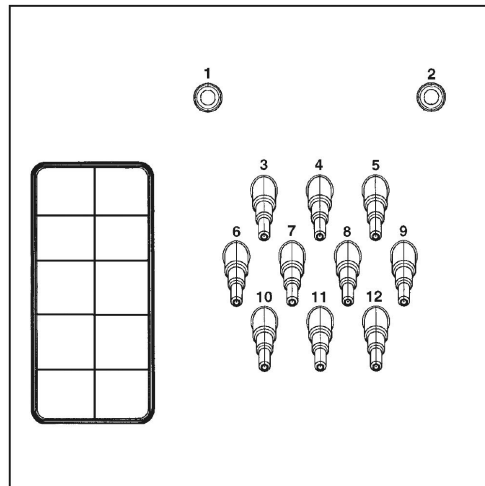
A vízlefolyásban késedelem, vagy visszatorlódás esetén (túl csekély vezeték-keresztmetszet révén) a programlefutásban is zavarok léphetnek fel, ami a készülékben hibajelzésekhez vezetnek.

⚠ A lefolyó mosóvíz akár 95 °C-os is lehet. Égési sérülés veszélye áll fenn!

Kerülje a közvetlen érintést.

Adagoló szivattyú csatlakozásai

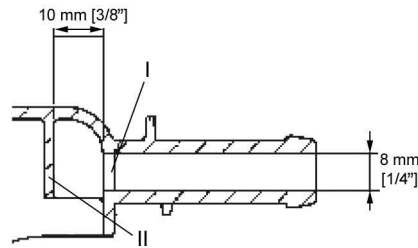
A mosógépre legfeljebb 12 adagoló szivattyú csatlakoztatható.



Adagoló szivattyú csatlakozásai a készülék hátoldalán

Az **1** és **2** a mosókrém-adagolás számára van kialakítva, és vízöblítéses nagynyomású adagolóberendezéshez is használható. Az adagolóberendezést fel kell szerelni az EN 61770 és az EN 1717 szabvány szerinti ivóvízvédelmi berendezéssel. A maximális átfolyási mennyiség 1500 ml/perc legfeljebb 300 kPa hálózati víznyomásnál.

Ezek a csatlakozócsonkok le vannak zárva, és a csatlakoztatás előtt egy 8 mm-es fúróval át kell azokat fúrni.



Vegye figyelembe, hogy csak az első falat (I) szabad átfúrni, mivel már 10 mm-rel az első fal mögött van egy visszaverő fal (II).

A **3** és **12** csatlakozások folyékony mosószerre vannak tervezve. Ezekre a csatlakozásokra nem szabad nagynyomású vízöblítést igénylő adagolórendszereket kötni. A csatlakozócsonkok le vannak zárva, és a csatlakoztatás előtt egy kis fűrésszel a tömlőátmérőig le kell azokat fűrészelni.

Ha a nyitott csatlakozócsonkokat már nem használják, akkor azokat megfelelő tömítőanyaggal (pl. szilikon) újra le kell szigetelni.

A külső adagoló szivattyúk csatlakoztatása és kalibrálása az opcionálisan kapható Connector-Boxon keresztül történik.

Az adagolási mennyiség pontos felmérésére alternatív megoldásként áramlásmérők vagy átfolyásérzékelők is csatlakoztathatók.

Minden adagolandó szer számára csatlakozások vannak kialakítva, amelyekre ráköthető a töltöttséget figyelő rendszer.

Utólag vásárolható tartozékok

A tartozékokat csak akkor szabad fel-, vagy beszerelni, ha azt Miele kifejezetten jóváhagyta.

Amennyiben más alkatrészek kerülnek fel-, vagy beszerelésre, akkor a garanciára, jótállásra és/vagy termékfelelősségre vonatkozó követelések érvényüket veszítik.

Szerelő készlet a keményvizes csatlakozáshoz (APWM062)

A kemény víz típusúhoz tartozó csatlakozó az opcionális keményvizes csatlakozás szerelő készlet segítségével utólag is felszerelhető a mosógépre (APWM062).

Kiegészítő vízcsatlakozás segítségével kemény víz is használható, így a program futásideje lerövidíthető. A kemény víz ezen kívül ki-mondottan alkalmas a befejező öblítő menetekhez.

Connector-Box APWM019/020

A Connector-Box egységgel a Miele és más gyártók hardvereit lehet rácsatlakoztatni a Miele Professional készülékre.

A vízbevezetéshez használt járókerék-számlálók szintén csatlakoztathatók a Connector-Boxhoz (APWM065).

Csúcsterhelés-/ energiaszabályozás

A készülék a Connector-Boxon keresztül csatlakoztatható csúcsterhelés- vagy energiaszabályozáshoz.

A csúcsterhelés kizárás lekapcsolás felügyeli az objektum energiafogyasztását, hogy egyes felhasználókat célzottan lekapcsolhassunk és ezzel elkerülhessük egy terhelési határ túllépését. A felügyelet egy külső vezérlés által történik.

A csúcsterhelés funkció aktiválása esetén a készülék lekapcsolja a fűtést és leállítja a programot. A kijelzőn ekkor megjelenik egy megfelelő üzenet.

A csúcsterhelés funkció végén a program az eddigiek szerint folytatódik.

Folyékonymosó-szer-adagoló csatlakozása

Folyékony mosószerek adagolásához töltöttségérzékelővel vagy áramlásmérővel (Flowmeter) ellátott külső folyékonymosószer-adagoló szivattyúk használhatók.

Az adagoló szivattyúk programozását csak a Miele ügyfélszolgálat végezhet MDU segítségével.

A mosási segédanyagok használata és kombinálása esetén feltétlenül ügyeljen a gyártó alkalmazási útmutatásaira.

Érmebedobó készülék

A mosógép a Connector-Boxon keresztül – utólag vásárolható tartozékként – egységes érmebedobó rendszerrel szerelhető fel.

A szükséges programozás az első üzembe helyezés folyamán végezhető el. Az első üzembe helyezés befejezése után a Miele szakkereskedő vagy a Miele ügyfélszolgálat hajthatja végre a módosításokat.

hu - Telepítési útmutató

Wi-Fi-/LAN-interfész


A mosógép az adatcseréhez Wi-Fi/LAN-interfésszel van felszerelve. A LAN-csatlakozáshoz biztosított adatinterfész megfelel az EN 60950 szabvány szerinti törpeszültségnak (SELV). A LAN-csatlakozás egy EIA/TIA 568B szerinti RJ45-csatlakozóval történik.

A csatlakoztatott készülékeknek is meg kell felelniük a SELV-előírásoknak.

Aláépítő lábazat (APWM029/033)

A mosógép opcionálisan felállítható egy aláépítő lábazattal (utólag vásárolható Miele tartozékként nyitott, vagy zárt építési módban).

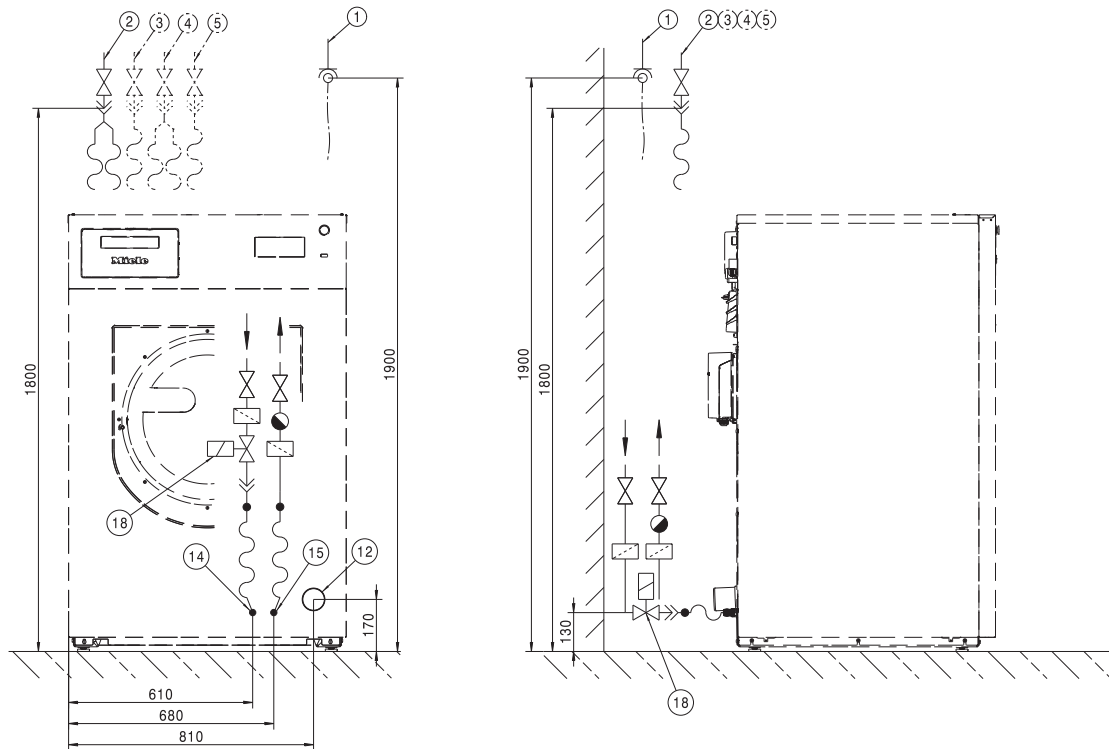
A mosógép megemelt elhelyezése a be- és kirakodás során gondoskodik az ergonomikus munkavégzésről. Egyidejűleg lehetővé teszi az egyszerű szennyvízcsatlakozást.

 A felállítást követően a mosógépet feltétlenül rögzíteni kell az aláépítő lábazaton! Az aláépítő lábazatot a padlóhoz kell rögzíteni. A rögzítés nélkül fennáll a veszélye, hogy a mosógép centrifugálás közben leesik.

Pára- és habelvezetés szerelő-készlet (APWM063)

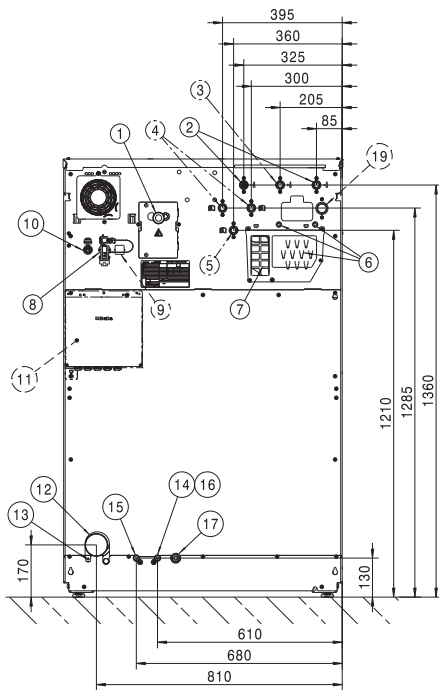
Megnövekedett habképződés esetén a páraelszívóból hab léphet ki. A hab levezetésére az opcionális „Pára- és habvezető (BWS)” szerelőkészlet használható.

Standard SI



Méretetek milliméterben megadva

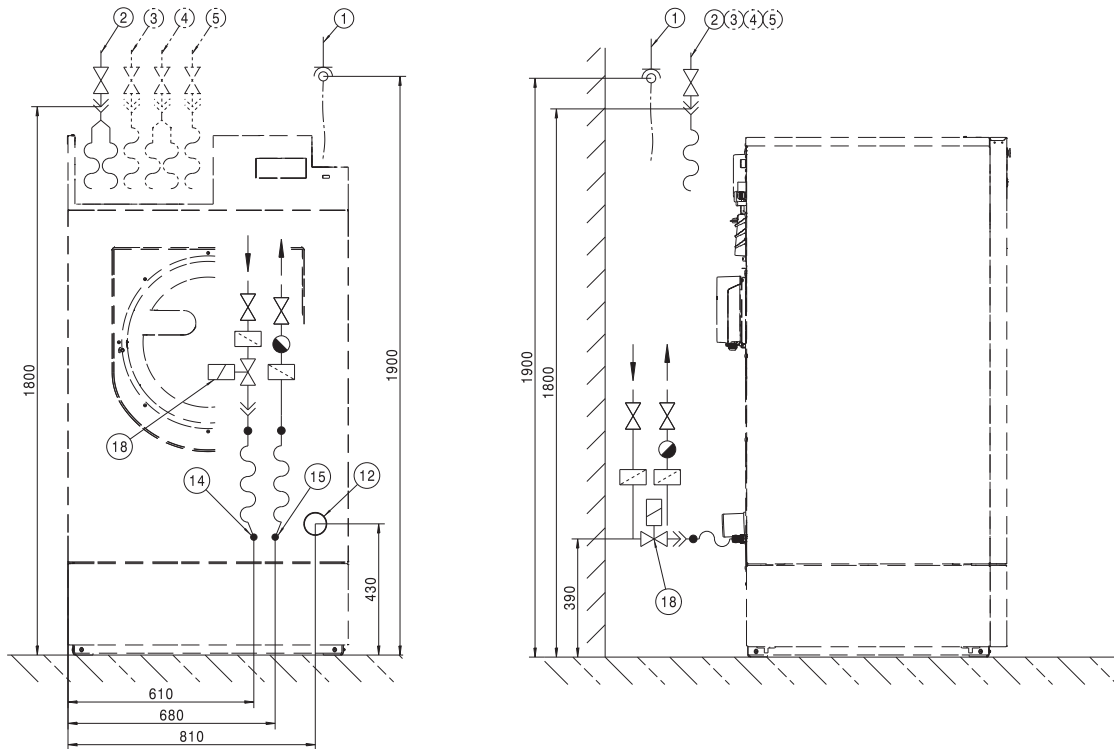
- | | |
|--|------------------------------------|
| ① Elektromos csatlakozás | ⑫ Lefolyócső |
| ② Hidegvíz-csatlakozás | ⑭ SI csatlakozó, bevezetés |
| ③ Melegvíz-csatlakozás | ⑮ SI csatlakozó, elvezetés csak SI |
| ④ Keményvizes hidegvíz csatlakozás (opcionális) | ⑰ Gőzszelep csak SI/SD |
| ⑤ Hidegvíz-csatlakozás a folyékony mosószer adagolás számára | |



Méretetek milliméterben megadva

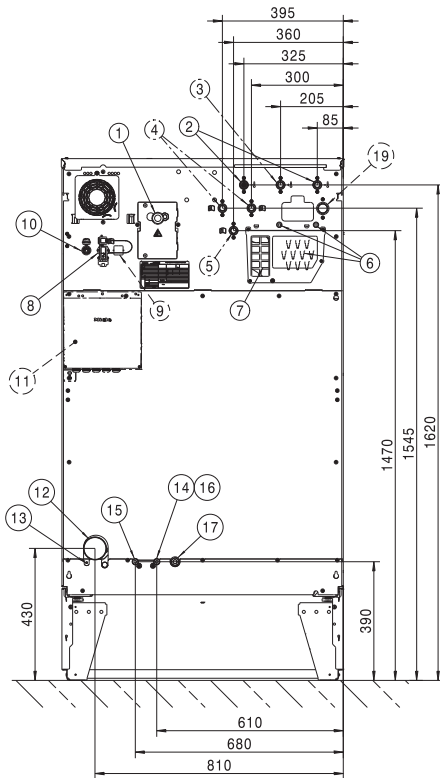
- | | |
|---|---|
| ① Elektromos csatlakozás | ⑩ LAN-csatlakozás |
| ② Hidegvíz-csatlakozás | ⑪ Connector Box (opcionális) |
| ③ Melegvív-csatlakozás | ⑫ Lefolyócsó |
| ④ Keményvizes hidegvív csatlakozás (opcionális) | ⑬ A potenciálkiegyenlítés csatlakozója |
| ⑤ Hidegvív-csatlakozás a folyékony mosószert adagolás számára | ⑭ SI csatlakozó, bevezetés |
| ⑥ Adagoló szivattyú csatlakozásai | ⑮ SI csatlakozó, elvezetés csak SI |
| ⑦ Túlfolyás és légtelenítés | ⑯ SD csatlakozó (közvetlen gőz) |
| ⑧ Connector Box csatlakozó | ⑰ Gőzszelep csatlakozó csak SI/SD |
| ⑨ Connector Kit csatlakozó (opcionális) | ⑱ Vízvisszanyerés csatlakozó (opcionális) |

SI lábazat



Méretetek milliméterben megadva

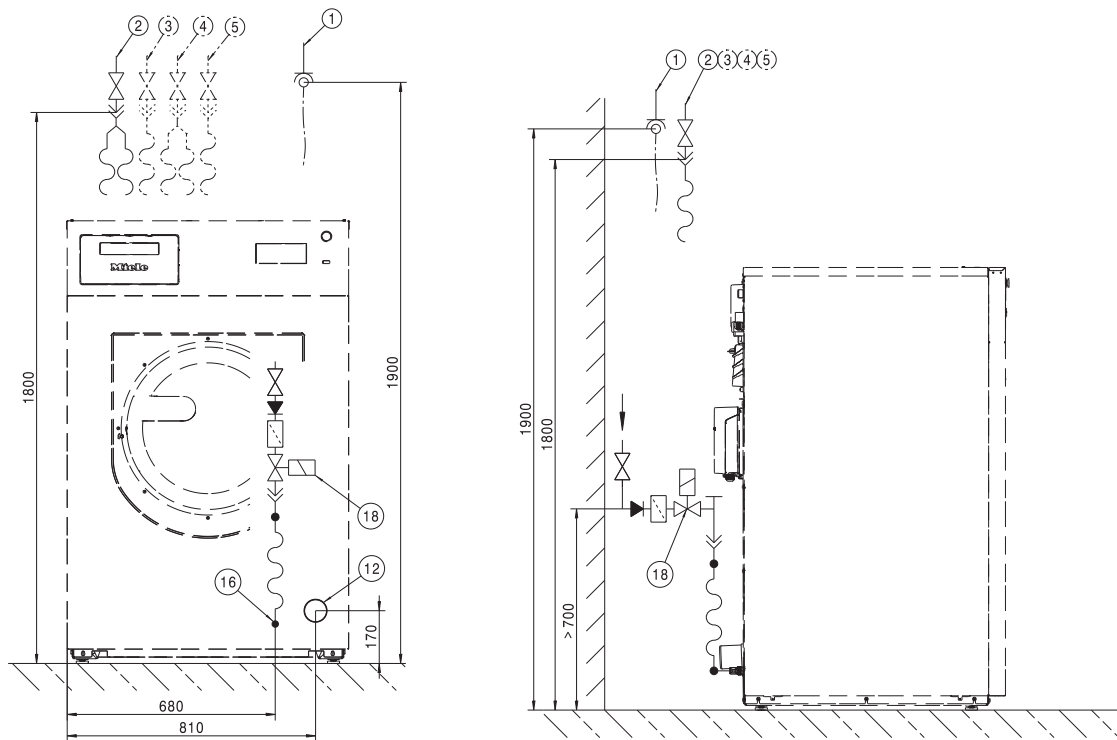
- | | |
|--|------------------------------------|
| ① Elektromos csatlakozás | ⑫ Lefolyócső |
| ② Hidegvíz-csatlakozás | ⑭ SI csatlakozó, bevezetés |
| ③ Melegvíz-csatlakozás | ⑮ SI csatlakozó, elvezetés csak SI |
| ④ Keményvizes hidegvíz csatlakozás (opcionális) | ⑰ Gőzszelep csak SI/SD |
| ⑤ Hidegvíz-csatlakozás a folyékony mosószer adagolás számára | |



Méretetek milliméterben megadva

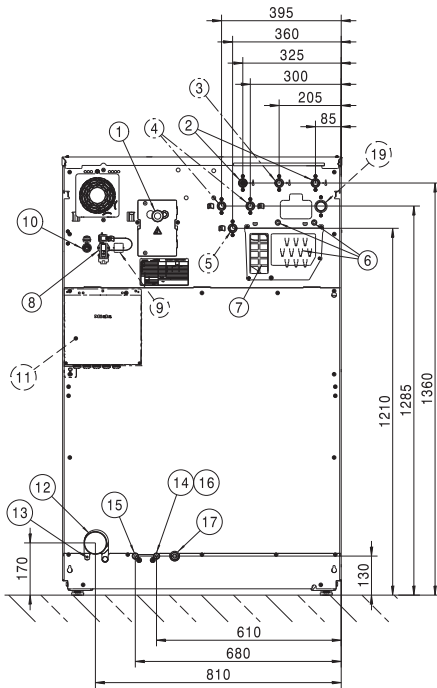
- | | |
|---|---|
| ① Elektromos csatlakozás | ⑩ LAN-csatlakozás |
| ② Hidegvíz-csatlakozás | ⑪ Connector Box (opcionális) |
| ③ Melegvíz-csatlakozás | ⑫ Lefolyócső |
| ④ Keményvizes hidegvíz csatlakozás (opcionális) | ⑬ A potenciálkiegyenlítés csatlakozója |
| ⑤ Hidegvíz-csatlakozás a folyékony mosószert adagolás számára | ⑭ SI csatlakozó, bevezetés |
| ⑥ Adagoló szivattyú csatlakozásai | ⑮ SI csatlakozó, elvezetés csak SI |
| ⑦ Túlfolyás és légtelenítés | ⑯ SD csatlakozó (közvetlen gőz) |
| ⑧ Connector Box csatlakozó | ⑰ Gőzszelep csatlakozó csak SI/SD |
| ⑨ Connector Kit csatlakozó (opcionális) | ⑱ Vízvisszanyerés csatlakozó (opcionális) |

Standard SD



Méretetek milliméterben megadva

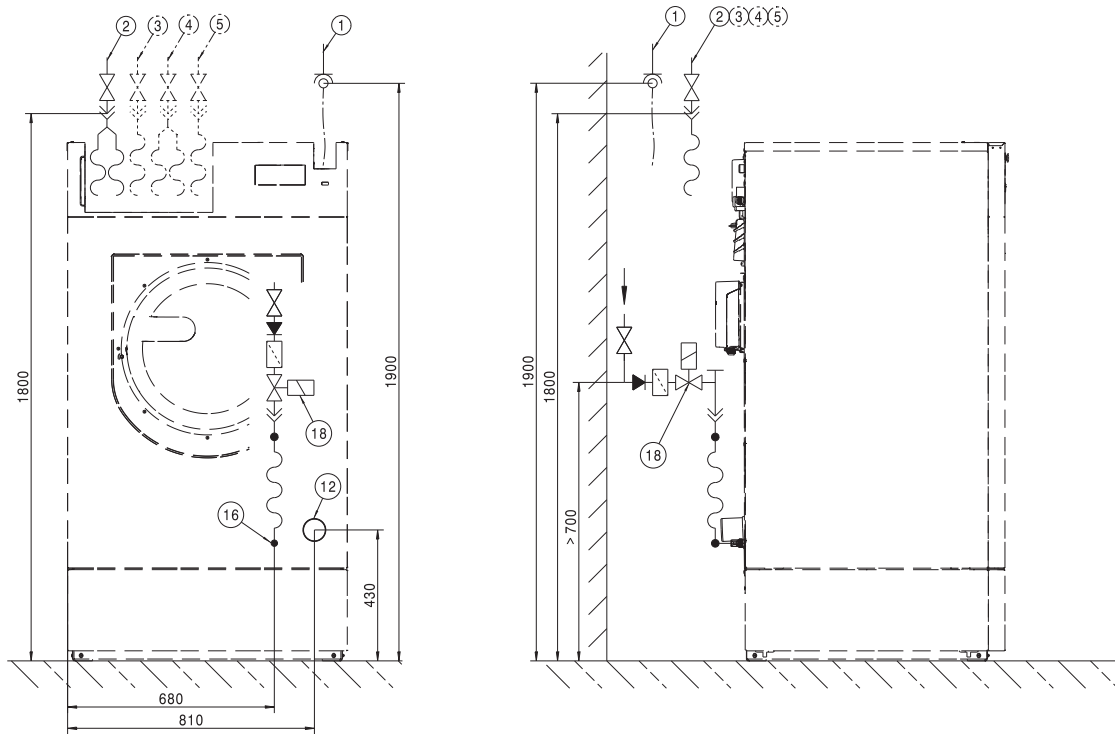
- ① Elektromos csatlakozás
- ② Hidegvíz-csatlakozás
- ③ Melegvíz-csatlakozás
- ④ Keményvízes hidegvíz csatlakozás (opcionális)
- ⑤ Hidegvíz-csatlakozás a folyékony mosószer adagolás számára
- ⑫ Lefolyócső
- ⑯ SD csatlakozó (közvetlen gőz)
- ⑰ Gőzszelep csak SI/SD



Méretetek milliméterben megadva

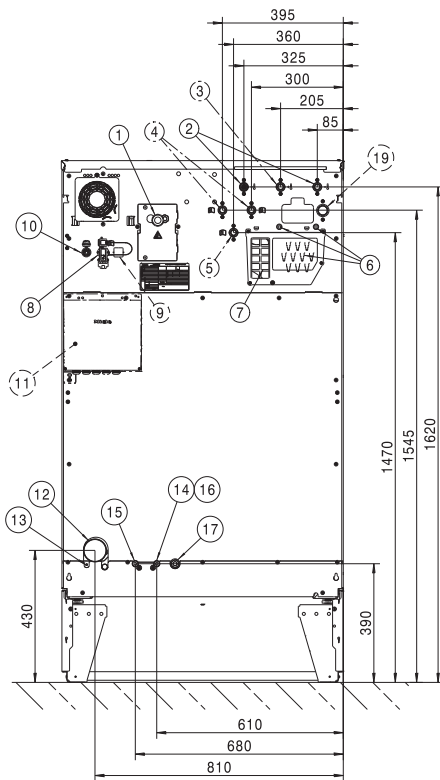
- | | |
|---|---|
| ① Elektromos csatlakozás | ⑩ LAN-csatlakozás |
| ② Hidegvíz-csatlakozás | ⑪ Connector Box (opcionális) |
| ③ Melegvív-csatlakozás | ⑫ Lefolyócsó |
| ④ Keményvizes hidegvív csatlakozás (opcionális) | ⑬ A potenciálkiegyenlítés csatlakozója |
| ⑤ Hidegvív-csatlakozás a folyékony mosószert adagolás számára | ⑭ SI csatlakozó, bevezetés |
| ⑥ Adagoló szivattyú csatlakozásai | ⑮ SI csatlakozó, elvezetés csak SI |
| ⑦ Tűlfolyás és légtelenítés | ⑯ SD csatlakozó (közvetlen gőz) |
| ⑧ Connector Box csatlakozó | ⑰ Gőzszelep csatlakozó csak SI/SD |
| ⑨ Connector Kit csatlakozó (opcionális) | ⑱ Vízvisszanyerés csatlakozó (opcionális) |

SD lábazat



Méretetek milliméterben megadva

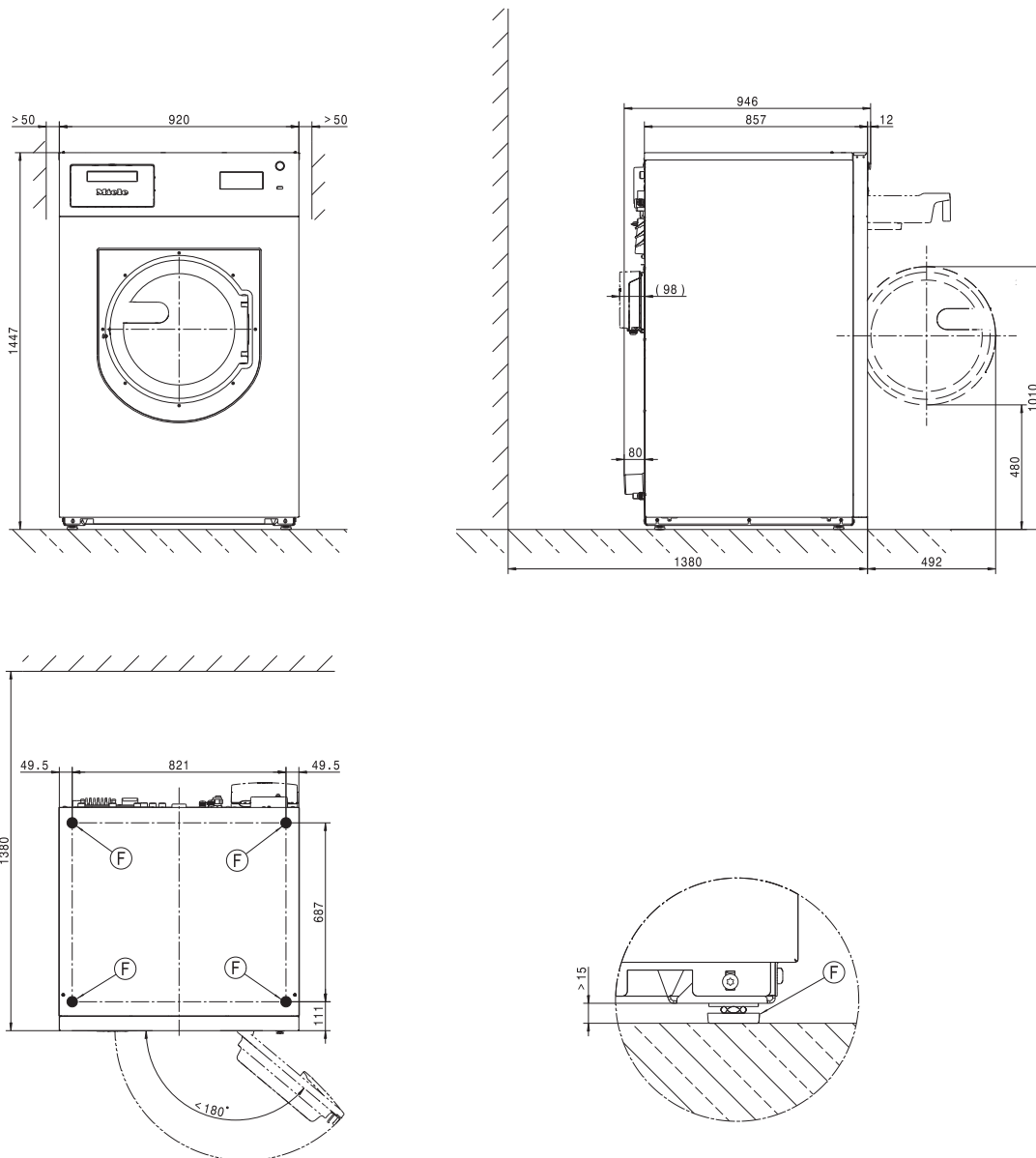
- | | |
|---|---|
| ① Elektromos csatlakozás | ⑤ Hidegvíz-csatlakozás a folyékony mosó-
szer adagolás számára |
| ② Hidegvíz-csatlakozás | |
| ③ Melegvíz-csatlakozás | ⑫ Lefolyócső |
| ④ Keményvizes hidegvíz csatlakozás (opcionális) | ⑬ SD csatlakozó (közvetlen gőz) |
| | ⑭ Gőzszelep csak SI/SD |



Méretetek milliméterben megadva

- | | |
|---|---|
| ① Elektromos csatlakozás | ⑩ LAN-csatlakozás |
| ② Hidegvíz-csatlakozás | ⑪ Connector Box (opcionális) |
| ③ Melegvíz-csatlakozás | ⑫ Lefolyócső |
| ④ Keményvizes hidegvíz csatlakozás (opcionális) | ⑬ A potenciálkiegyenlítés csatlakozója |
| ⑤ Hidegvíz-csatlakozás a folyékony mosószert adagolás számára | ⑭ SI csatlakozó, bevezetés |
| ⑥ Adagoló szivattyú csatlakozásai | ⑮ SI csatlakozó, elvezetés csak SI |
| ⑦ Túlfolyás és légtelenítés | ⑯ SD csatlakozó (közvetlen gőz) |
| ⑧ Connector Box csatlakozó | ⑰ Gőzszelep csatlakozó csak SI/SD |
| ⑨ Connector Kit csatlakozó (opcionális) | ⑱ Vízvisszanyerés csatlakozó (opcionális) |

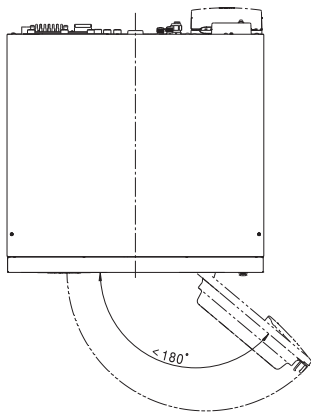
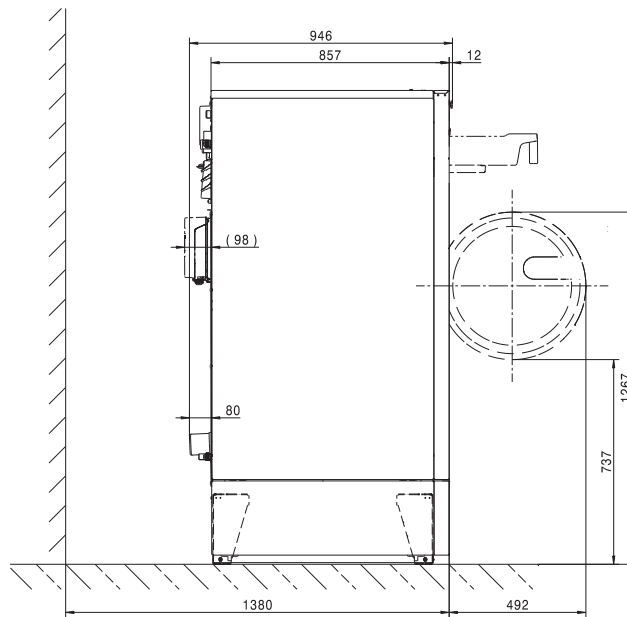
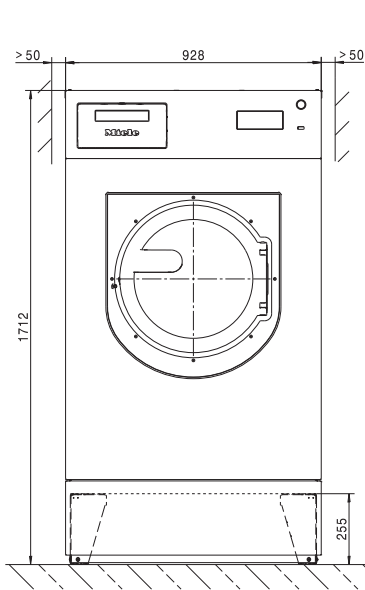
Standard



Méretetek milliméterben megadva

ⓕ Állóláb

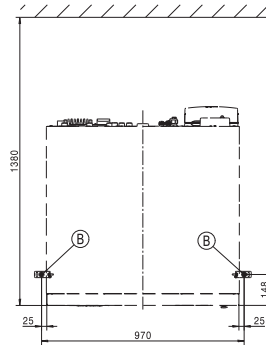
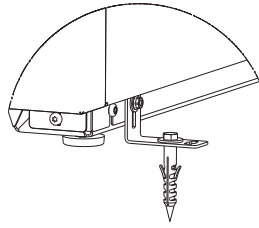
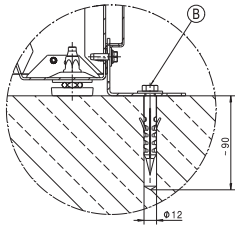
Lábazat



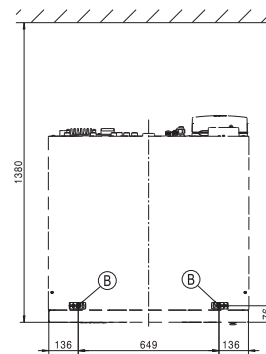
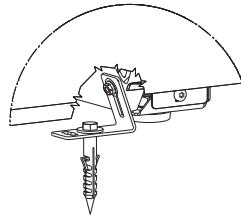
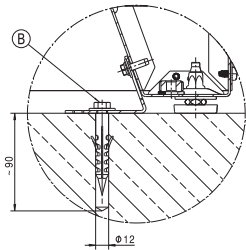
Méretetek milliméterben megadva

Rögzítés a padlón

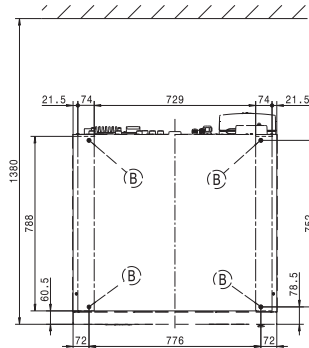
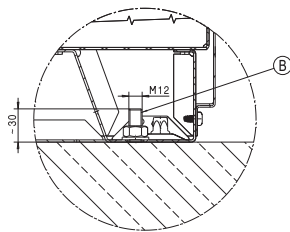
Standard



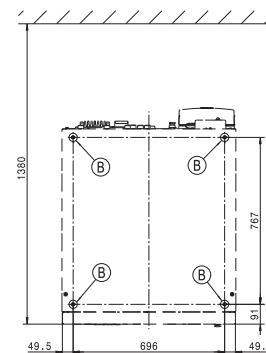
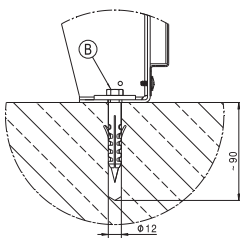
Sorba telepítés esetén



Tengerészet



Lábazat



Méreték milliméterben megadva

ⓑ Csavar/rögzítési pont

Feszültségváltozatok és villamos adatok

3N AC 400 V SI/SD

Csatlakozási feszültség	3N AC 400 V
Frekvencia	50/60 Hz
Szükséges biztosíték (helyszíni)	16 A
Teljesítményfelvétel	3,1 kW
A csatlakozókábel minimális keresztmetszete	1,5 mm ²

Vízcsatlakozás

Hidegvíz-csatlakozás

Szükséges hálózati víznyomás	100 - 1000 kPa (1 - 10 bar)
Maximális áramlási sebesség	31,5 l/min
Szükséges csatlakozómenet (külső menetes, helyszíni a DIN 44991 szerint, síkban tömitő)	3 x 3/4"
A készülékhez mellékelte vízbevezető tömlő hossza	3 x 1550 mm

Melegvíz-csatlakozás

Maximális megengedett víz hőmérséklet	70 °C
Szükséges hálózati víznyomás	100 - 1000 kPa (1 - 10 bar)
Maximális áramlási sebesség	16 l/min
Szükséges csatlakozómenet (külső menetes, DIN 44991 szerint, síkban tömitő)	1 x 3/4"
A készülékhez mellékelte vízbevezető tömlő hossza	1550 mm

Forróvíz-csatlakozás (fűtés nélküli vagy csökkentett fűtési teljesítményű változatoknál)

A forróvíz maximálisan megengedett hőmérséklete	90 °C
Szükséges hálózati víznyomás	100 - 1000 kPa (1 - 10 bar)
Maximális áramlási sebesség	16 l/min
Szükséges csatlakozómenet (külső menetes, DIN 44991 szerint, síkban tömitő)	1 x 1"
A készülékhez mellékelte vízbevezető tömlő hossza	1550 mm

Keményvizes csatlakozás (opcionális)

Szükséges hálózati víznyomás	100 - 1000 kPa (1 - 10 bar)
Maximális áramlási sebesség	32 l/min
Szükséges csatlakozómenet (külső menetes, DIN 44991 szerint, síkban tömitő)	2 x 3/4"
A készülékhez mellékelte vízbevezető tömlő hossza	2 x 1550 mm

Közvetett gőzfűtés

Fűtési teljesítmény (tervezési teljesítmény)	27 kW
Menetes csatlakozó (a helyszínen)	2 x 1/2"
A gőz-mágnesszelepet, a szennyeződésszűrőt és a gőzzáró szelepet a helyszínen kell telepíteni. Vegye figyelembe a gőzfűtésű készülékek telepítési útmutatóját.	

Közvetlen gőzfűtés

Fűtési teljesítmény (tervezési teljesítmény, nagynyomás)	37 kW
Menetes csatlakozó (a helyszínen)	1 x ½"
A gőz-mágnesszelepet, a szennyeződésszűrőt és a gőzzáró szelepet a helyszínen kell telepíteni. Vegye figyelembe a gőzfűtésű készülékek telepítési útmutatóját.	

Szennyvízlefolyó

Maximális szennyvíz-hőmérséklet	95 °C
Szennyvízcsonk (géppoldali)	HT DN 70 műanyag cső
Lefolyó (építésoldali)	DN 70 karmantyú
Legnagyobb lefolyási sebesség	200 l/min

A potenciálkiegyenlítés csatlakozója

Külső menet	M10
Fogazott alátét	M10

Telepítési méretek

A ház szélessége (a rászerezelt alkatrészek nélkül)	920 mm
A ház magassága (a rászerezelt alkatrészek nélkül)	1447 mm
A ház mélysége (a rászerezelt alkatrészek nélkül)	857 mm
A gép teljes szélessége	924 mm
A gép teljes magassága	1450 mm
A gép teljes mélysége	946 mm
A beviteli nyílás legkisebb szélessége	1020 mm
A fal és a készülék előlap közötti legkisebb távolság	1380 mm
Ajtónyílási átmérő	415 mm
Ajtónyitási szög	180°

Rögzítés

Standard

Szükséges rögzítési pontok	2
DIN 571 facsavar (átmérő x hossz)	12 mm x 90 mm
Tipli (átmérő x hossz)	16 mm x 80 mm

Aláépítő lábazattal (APWM UO/UG)

Szükséges rögzítési pontok	4
DIN 571 facsavar (átmérő x hossz)	12 mm x 90 mm
Tipli (átmérő x hossz)	16 mm x 80 mm

Beton talapzat

Szükséges rögzítési pontok	2
DIN 571 facsavar (átmérő x hossz)	12 mm x 90 mm
Tipli (átmérő x hossz)	16 mm x 80 mm

Szállítási adatok, súly és padlóterhelés

Készülékváltozatok mosószer-adagoló fiókkal (DD)

Csomagolási szélesség	10210
Csomagolási magasság	1585
Csomagolási mélység	1130
Bruttó térfogat	2168
Bruttó súly*	410
Nettó tömeg*	390
Maximális padlóterhelés üzem közben	5765







*felszereltségtől függően

Kibocsátási adatok

A munkahelyre vonatkoztatott hangnyomásszint, mosás	51 dB (A)
Hangteljesítményszint mosás	60,0 dB (A)
A munkahelyre vonatkoztatott hangnyomásszint, centrifugázás	65 dB (A)
Hangteljesítményszint	76,0 dB (A)
Átlagos hőleadás a felállítási helyiségben	6,48 MJ/h

Kurulum bilgileri	76
Güvenlik uyarılarına ve makinedeki uyarı bilgilerine ilişkin açıklama	76
Kurulum şartları	76
Genel işletim koşulları.....	76
Kurulum	77
Beton kaide üzerine kurulum.....	77
Düzlük ayarı	77
Cihazın sabitlenmesi.....	78
Elektrik bağlantısı	78
Su bağlantısı	79
İsviçre için bilgi	79
Avusturya için yönetmelik.....	80
Soğuk su bağlantısı	80
Sıcak su bağlantısı	80
Tahliye valfi	80
Dozaj pompası bağlantıları	81
İsteğe bağlı / sonradan satın alınabilen aksesuarlar	82
Sert su bağlantısı montaj kiti (APWM062)	82
Connector-Box APWM019/020.....	82
Wi-Fi/LAN arayüzü	84
Baza (APWM029/033)	84
Buhar ve Köpük Tahliyesi Montaj Kiti (APWM 063)	84
Montaj	85
Standart SI	85
Baza SI	87
Standart SD.....	89
Baza SD.....	91
Kurulum	93
Standart.....	93
Baza	94
Zemine tespit.....	95
Teknik veriler	96
Gerilim alternatifleri ve elektrik verileri.....	96
Su bağlantısı.....	96
Soğuk su bağlantısı	96
Sıcak su bağlantısı	96
Sıcak su bağlantısı (ısıtıcısız veya düşük ısıtma gücüne sahip modellerde).....	96
Sert su bağlantısı (opsiyonel)	96
Dolaylı buharlı ısıtma	96
Doğrudan buharlı ısıtma	96
Atık su tahliyesi.....	97
Potansiyel dengelemesi bağlantısı	97
Yerleştirme ölçüleri	97
Tespit.....	97
Nakliye verileri, ağırlık ve zemin yükü	98
Deterjan bölmeli (DD) cihaz modelleri	98
Emisyon verileri	98

Güvenlik uyarılarına ve makinedeki uyarı bilgilerine ilişkin açıklama

	Kullanım kılavuzunu okuyunuz
	Örneğin kurulum talimatları gibi talimatları okuyunuz
	Dikkat; Sıcak yüzeyler
	Dikkat; 1000 Volt'a varan gerilim
	Topraklama
	Potansiyel dengelemesi

Kurulum şartları

Çamaşır makinesi sadece Miele yetkili servisi ya da yetkili bir bayinin eğitimli personeli tarafından kurulmalıdır.

- Çamaşır makinesinin kurulumu geçerli kurallara ve standartlara uygun olarak gerçekleştirilmelidir. Ayrıca yerel elektrik tedarikçisinin ve su idaresinin yönetmelikleri de dikkate alınmalıdır.
- Çamaşır makinesini daima, sadece yeterli havalandırmaya sahip ve don tehlikesi olmayan mekanlarda çalıştırınız.

Çamaşır makinesi patlama tehlikesi olan mekanlarda çalıştırılmaya uygun değildir.

Genel işletim koşulları

Bu çamaşır makinesi sadece endüstriyel alanda kullanım için öngörül-müştür ve sadece iç mekanlarda çalıştırılmalıdır.

- Ortam sıcaklığı: 0-40 °C
- Bağıl nem: yoğuşmasız
- Deniz seviyesinin üstünde azami kurulum yüksekliği: 2000 m

Kurulum yerinin özelliklerine bağlı olarak ses veya titreşim aktarımı söz konusu olabilir.

Faydalı bilgi: Yüksek ses yalıtımı gereklilikleri söz konusuysa cihazın kurulum yerinin bir uzman tarafından ses yalıtımına yönelik olarak değerlendirilmesini sağlayınız.

Kurulum

Çamaşır makinesini kurulum yerine bir forklift ile taşıyınız ve nakliye ambalajını çıkarınız.

Çamaşır makinesi, asgari olarak belirtilen zemin yüküne dayanıklı tamamen düz, yatay ve sağlam bir yüzey üzerine kurulmalıdır (bkz. “Teknik veriler” bölümü).

Faydalı bilgi: En uygun kurulum yüzeyi beton bir zemindir. Bu tür bir zemin tahta döşemelerin veya “yumuşak” döşemelerin aksine sıkma işlemi sırasında ender olarak titreşime girer.

Çamaşır makinesinden kaynaklanan zemin yükü, cihazın bulunduğu alanda zemine yüzey yükü uygular.

Çalışma sırasındaki dinamik cihaz hareketleri dolayısıyla çamaşır makinesi yanlardan en az 50 mm mesafeye ihtiyaç duyar. Cihaz arka yüzünden arka duvara kadar olan mesafe en az 400 mm olmalıdır.

Çamaşır makinesi halı zemin üzerine yerleştirilmemelidir.

Çamaşır makinesini, teslimat kapsamında yer alan tespit malzemeleriyle öngörülen sabitleme noktalarından zemine sabitleyiniz.

Cihazla birlikte verilen tespit malzemesi beton zemin üzerine dübelli tespite yöneliktir. Kurulum yerinde başka zemin yapıları mevcutsa, uygun tespit malzemeleri uygulayıcı tarafından temin edilmelidir.

Beton kaide üzerine kurulum

Çamaşır makinesi isteğe bağlı olarak bir beton kaide üzerine kurulabilir.

Beton kalitesi ve beton kaidenin dayanıklılığı “Teknik veriler” bölümünde verilmiş olan zemin yüküne göre belirlenmelidir.

- Cihazın güvenli bir şekilde durmasının sağlanabilmesi için, beton kaidenin yeterli zemin tutuculuğu olmasına ve çamaşır makinesinden kaynaklanan yüklere dayanmasına dikkate ediniz.
- Çamaşır makinesini, kaide üzerine yerleştirdikten sonra mutlaka cihazla birlikte verilen tespit malzemeleri ile tespit ediniz.

⚠ Çamaşır makinesi yerleştirildikten sonra mutlaka beton kaideye tespit edilmelidir!

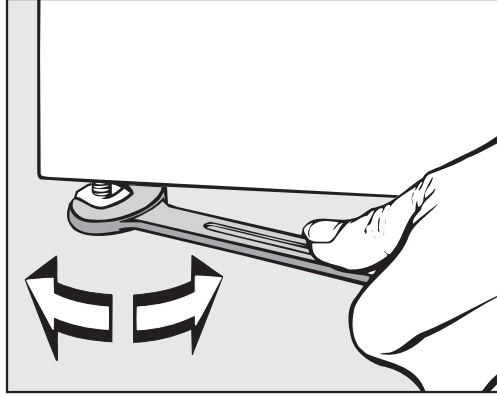
Aksi takdirde çamaşır makinesinin sıkma sırasında kaidenin üzerinden düşmesi tehlikesi oluşur.

Düzlük ayarı

- Çamaşır makinesini yerleştirdikten sonra, ayakları ve bir su terazisi vasıtasıyla dikey ve yatay olarak düzlük ayarını yapınız.

Sorunsuz ve enerji tasarruflu bir işletim için, çamaşır makinesi dört ayağı üzerinde eşit ve dik bir şekilde durmalıdır. Aksi takdirde su ve enerji tüketimi artar ve çamaşır makinesi yürüyebilir.

- Ayakların ayarının deęiřmemesi için yatay düzlük ayarının ardından kontra somunları bir İngiliz anahtarı yardımıyla saat yönünün tersine çevirerek sıkınız.



Cihazın sabitlenmesi

- Çamařır makinesini emniyet altına almak üzere cihazla birlikte verilen tespit malzemeleriyle ayaklarından zemine tespit ediniz.

Cihazla birlikte verilen tespit malzemesi beton zemine dübelli tespite yöneliktir. Kurulum yerinde başka zemin yapıları mevcutsa, uygun tespit malzemeleri ayrıca sipariř edilmelidir.

Elektrik baęlantısı

Elektrik baęlantısı, sadece mevcut standartlara ve elektrik tesisatı yönetmeliklerine uyulmasından tam olarak sorumlu ve eęitimli bir elektrikçi tarafından gerçekleştirilmelidir.

► Çamařır makinesi sadece ulusal ve yerel řartlara uygun olarak gerçekleştirilmiş bir elektrik řebekesine baęlanmalıdır. Ayrıca yetkili elektrik řirketinin ve sigorta řirketinin yönetmeliklerinin yanı sıra kaza önleme yönetmeliklerine ve kabul gören teknoloji kurallarına da uyulmalıdır.

► Gerekli řebeke gerilimi, enerji tüketimi ve harici koruma řartları çamařır makinesinin tip etiketinde belirtilmiřtir. Kurutma makinesi elektrik řebekesine baęlanmadan önce elektrik řebekesinin gerilim deęerlerinin tip etiketinde belirtilen gerilim deęerleriyle uyuřtuęundan emin olunuz.

Tip etiketinde belirtilenden farklı bir řebeke gerilimine baęlantı durumunda çamařır makinesinde fonksiyon bozuklukları veya arıza meydana gelebilir.

Tip etiketinde birden fazla gerilim deęeri verilmiřse çamařır makinesi belirtilen gerilim deęerlerine baęlantı için dönüřtürülebilir.

► Gerilim dönüřtürme iřlemi sadece Miele yetkili servisi ya da yetkili bayi tarafından gerçekleştirilmelidir. Bu iřlem sırasında, elektrik baęlantılarının deęiřtirilmesine dair devre řemasında belirtilen talimatlara uyulmalıdır.

Çamaşır makinesi ya sabit bir bağlantı ya da IEC 60309-1'e uygun bir fiş tertibatı üzerinden bağlanabilir. Sabit bağlantı için kurulum yerinde tüm kutuplar için bir şebeke yalıtım tertibatı tesis edilmiş olmalıdır.

Şebeke yalıtım tertibatı olarak en az 3 mm kontak açıklığına sahip anahtarlar kullanılabilir. Buna devre kesiciler, sigortalar ve röleler dahildir (IEC/EN 60947).

Elektrik beslemesi yalıtımı, erişilebilen her yerden ve her daim gözetim altında olamıyorsa, şebeke yalıtım tertibatı (fiş donanımı dahil) yanlışlıkla ve yetkisiz açılmaya karşı emniyet altına alınmalıdır.

Faydalı bilgi: Elektrik güvenliği kontrollerinin (örneğin bir bakım sırasında) daha kolay gerçekleştirilebilmesi için çamaşır makinesinin fiş tertibatı üzerinden bağlanmasını sağlayın.

► Yerel yönetmelikler uyarınca bir kaçak akım devre kesici (RCD) tesis edilmesi gerekiyorsa, mutlaka B tipi (tüm akımlara duyarlı) bir kaçak akım devre kesici kullanılmalıdır.

A Tipi mevcut kaçak akım devre kesici (RCD) B tipi bir RCD ile değiştirilmelidir.

► Yerel ve ülkeye özel kurulum şartlarına uygun olarak, gerekirse iyi bir kontak bağlantısına sahip eşpotansiyel kuşaklama tesis edilmelidir.

>10 mA'lık bir kaçak akım durumunda eşpotansiyel kuşaklama gerçekleştirilmelidir

Eşpotansiyel kuşaklama için gerekli aksesuarlar teslimat kapsamında değildir.

Su bağlantısı

Almanya İçme Suyu Yönetmeliği uyarınca 21.03.2021 tarihinden itibaren Almanya'da, sıcak ve/veya soğuk su bağlantısı yapılan tüm cihazların işleme alınması sırasında, su musluğu ile su besleme hortumu arasında bir geri akış önleyici monte edilmek zorundadır. Geri akış önleyici, suyun su besleme hortumundan kurulum yerindeki şebeke suyu hattına geri akmasını önler.

Geri akış önleyiciler teslimat kapsamına dahildir.

Akış basıncı en az 100 kPa olmalı ve 1.000 kPa seviyesini aşmamalıdır. Akış basıncı 1.000 kPa seviyesinden yüksekse, bir basınç düşürme valfi kullanılmalıdır.

Su bağlantısı için esas olarak sadece cihazla birlikte verilen su giriş hortumu kullanılmalıdır.

⚠ Vidalı bağlantılar su basıncına tabidir.

Su musluklarını yavaşça açarak bağlantıların sızdırıp sızdırmadığını kontrol ediniz. Gerekirse contanın ve dişli bağlantının düzgün oturmasını sağlayınız.

tr - Kurulum bilgileri

İsviçre için bilgi SIA 385.351/EN 1717 standardı ve SVGW (İsviçre Gaz ve Su Teknolojisi Birliği) tavsiyesi uyarınca bir geri akış önleyici monte edilmelidir. Standartlara uygun bir geri akış önleyiciyi sıhhi tesisatçıınızdan temin edebilirsiniz.

Avusturya için yönetmelik Cihazdaki bağlantı yeri ile bina tesisatını birleştiren bağlantı hattı için sadece Avusturya Su ve Kanalizasyon İdaresi Kanunu'nun (Wasserversorgungsgesetz 1960) uygulanmasına ilişkin yönetmeliğin 12. Maddesi 1. Bendinde belirtilen borular kullanılabilir.

Bina tesisatı ile cihaz arasındaki basınç bağlantı hattı olarak kauçuk veya plastik hortumların kullanılmasına, ancak aşağıda belirtilen durumlarda müsaade edilir:

- Entegre edilmiş bağlantı armatürleri dahil asgari 1500 kPa (15 bar) sürekli basınca karşı dayanıklı olmaları gereklidir
- Cihazın işleme alınması sırasında yeterli derecede gözetim altında tutulmaları gereklidir
- Cihaz kullanıldıktan sonra kauçuk veya plastik hortum, öncesinde su girişi kapatılarak güvenilir şekilde kullanım dışı bırakılmaları veya bina tesisatından ayrılmaları gereklidir.

Soğuk su bağlantısı Soğuk su bağlantısı için $\frac{3}{4}$ " dıştan dişli 1 adet su musluğu gerekir. Opsiyonel olarak $\frac{3}{4}$ " rakorlu 2 adet su besleme giriş hortumunu tek bir 1" dıştan dişli bir su musluğuna bağlamak için bağlantı dağıtıcı (Y-parçası) kullanılabilir.

Soğuk su besleme hortumu (mavi çizgili) sıcak su bağlantısına uygun değildir.

Sıcak su bağlantısı

Sıcak suyla işletim sırasında enerji tüketimini mümkün olduğunca düşük tutmak için, çamaşır makinesi bir sıcak su sirkülasyon devresine bağlanmalıdır.

Sıcak su üreticine giden münferit borular, sürekli kullanılmadıklarında boruda bulunan suyun soğumasına yol açarlar. Bu durumda yıkama suyunun ısıtılması için daha fazla enerji harcanması gerekir.

Sıcak su bağlantısı için cihazla birlikte verilen besleme hortumunu kullanınız (kırmızı çizgili).

Makineye giren sıcak su en fazla 70 °C olmalıdır.

Sıcak su hattı mevcut değilse, sıcak su besleme hortumu da soğuk su kaynağına bağlanmalıdır. Bu durumda ek bir Y-parçası gerekir. Çamaşır makinesinin su gereksinimi bu durumda gerekli sıcak su miktarı kadar artar.

İşlevsel ve yönetime ilişkin sebeplerle, tek başına sıcak suyla işletim mümkün değildir.

Çamaşır makinesi sıcak su bağlantısı olsa bile bir soğuk su besleme hattına bağlanmalıdır.

Tahliye valfi

Tahliye valfli çamaşır makinelerinde yıkama suyu tahliyesi, motorla çalışan bir valf üzerinden gerçekleşir. Tahliye valfi piyasada mevcut HT DN 70 dirsek rakor üzerinden doğrudan atık su sistemine (sifonsuz olarak) veya bir zemin giderine (koku tutuculu atık su yolu) bağlanabilir.

İdeal kapama mekanizması ve büyütülmüş tahliye kesiti sayesinde büyük kirlerde dahi neredeyse hiç birikme ve tıkanıklık oluşmaz. Yıkama suyu haznesinin elektrik kesintisinde de boşaltılabilmesi için, tahliye valfi istisnai durumlara yönelik olarak bir manüel kumanda tertibatı ile donatılmıştır.

Sorunsuz bir tahliye için havalandırılmalı bir boru gerekir.

Birden fazla cihaz tek bir toplayıcı boruya bağlanacaksa, toplayıcı borunun tüm cihazların aynı anda çalıştırılmasına uygun bir kesite sahip olması gerekir.

HT DN 70 boruların havalandırması için 05 238 090 malzeme numaralı uygun Miele montaj setini Miele yetkili servisinden veya Miele bayiinden edinebilirsiniz.

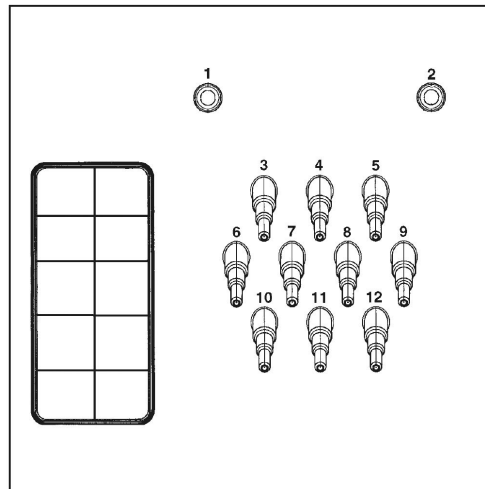
Çok yüksek çıkış akışı durumunda, çamaşır makinesinin tahliye sisteminde vakum oluşmaması için bir boru havalandırması öngörülmelidir.

Su tahliyesinde aksaklık olması veya atık suyun (küçük boru kesiti dolayısıyla) çamaşır makinesine geri kaçması durumunda program akışı sırasında sorunlar çıkabilir ve bu da cihazda hata bildirimlerine sebep olur.

⚠ Dışarı akan yıkama suyunun sıcaklığı 95 °C'ye varabilir. Yanık tehlikesi söz konusudur!
Doğrudan temastan kaçınınız.

Dozaj pompası bağlantıları

Çamaşır makinesine en fazla 12 adet dozaj pompası bağlanabilir.

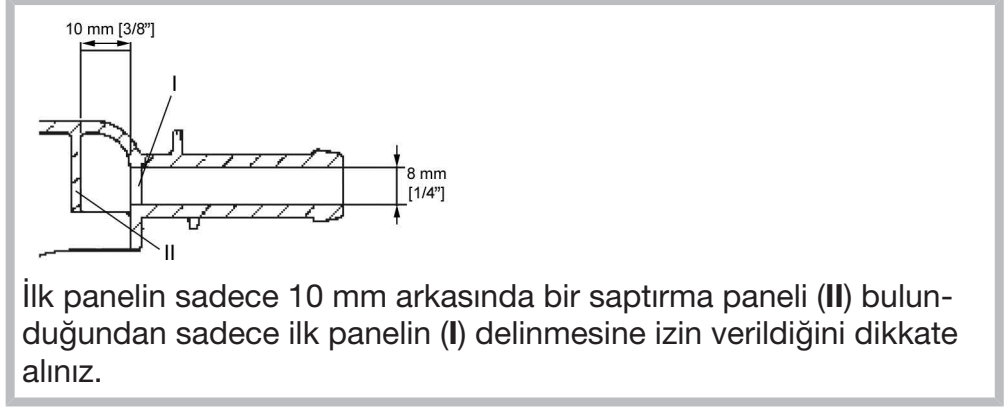


Cihazın arka yüzündeki dozaj pompası bağlantıları

tr - Kurulum bilgileri

1 ve **2** bağlantıları macun dozajı için öngörülmüştür ve ayrıca su girişli yüksek basınç dozaj sistemleri için de kullanılır. Dozaj sistemleri EN 61770 ve EN 1717 standartları uyarınca ayrı bir içme suyu güvenlik donanımına sahip olmalıdır. Azami 300 kPa akış basıncında azami akış hızı 1.500 ml/dakikadır.

Bu bağlantı uçları kapalıdır ve bağlantı öncesinde 8 mm matkap ucuyla delinerek açılmalıdır.



3 ila **12** bağlantıları sıvı deterjan için öngörülmüştür. Bu bağlantılara su girişli yüksek basınç dozaj sistemleri bağlanmamalıdır. Bağlantı uçları kapalıdır ve bağlanmadan önce küçük bir testere ile hortum çapında kesilmelidir.

Açılan bağlantı uçları daha fazla kullanılmayacağına, uygun bir sızdırmazlık maddesi (ör. silikon) ile tekrar kapatılmalıdır.

Harici dozaj pompalarının bağlantısı ve kalibrasyonu, opsiyonel olarak temin edilebilen Connector-Box üzerinden yapılır.

Dozaj miktarının kesin olarak belirlenmesi için alternatif olarak bir akış ölçer veya akış sensörü de bağlanabilir.

Kullanılan her bir dozaj maddesi için boş kap takibine yönelik bağlantılar mevcuttur.

İsteğe bağlı / sonradan satın alınabilen aksesuarlar

Sadece Miele tarafından açık bir şekilde onaylanmış aksesuarlar cihaza monte edilebilir veya takılabilir.

Başka aksesuarların monte edilmesi veya takılması halinde garanti, performans ve/veya ürün sorumluluğu talepleri geçersiz olur.

Sert su bağlantısı montaj kiti (APWM062)

Sert su türü için olan bağlantı, opsiyonel sert su bağlantısı kiti (APWM062) ile çamaşır makinesine eklenebilir.

İlave su bağlantısı ile sert su kullanılabilir ve böylece program süresi kısaltılabilir. Sert su, özellikle son yıkama işlemleri için uygundur.

Connector-Box APWM019/020

Connector-Box ile Miele'nin ve diğer tedarikçilerin harici donanımları Miele Professional cihazına bağlanabilir.

Connector-Box'a, ayrıca su girişi için akış ölçer bağlanabilir (APWM065).

Azami yük/Enerji yönetimi

Connector-Box vasıtasıyla bir azami yük ya da enerji yönetimi sistemi bağlanabilir.

Azami yük kapatması, münferit üniteleri kısa süreliğine devre dışı bırakmak ve bu şekilde yük sınırının geçilmesini önlemek üzere, enerji tüketimini takip eder. Bu takip harici bir kumanda üzerinden gerçekleşir.

Azami yük fonksiyonu etkinleştirildiğinde ısıtma kapatılır ve program durdurulur. Ekranda bununla ilgili bir bildirim görüntülenir.

Azami yük fonksiyonu sona erdikten sonra programa otomatik olarak devam edilir.

Sıvı deterjan dozajı bağlantısı

Sıvı deterjan dozajı için doluluk sensörüne sahip harici sıvı dozaj pompaları veya debimetreler (Flowmeter) kullanılabilir.

Dozaj pompaları sadece Miele yetkili servisi tarafından MDU ile programlanabilir.

Yıkama yardımcılarının ve özel ürünlerin kullanımı ve kombinasyonunda ürün üreticisinin kullanım talimatlarını mutlaka dikkate alınız.

Ödeme ünitesi

Çamaşır makinesi, Connector-Box vasıtasıyla bir tekil ödeme ünitesi (sonradan satın alınabilen aksesuar) ile donatılabilir.

Gerekli programlama ilk çalıştırma sırasında gerçekleştirilebilir. İlk çalıştırma tamamlandıktan sonra değişiklikler sadece Miele bayii ya da yetkili servisi tarafından gerçekleştirilebilir.

tr - Kurulum bilgileri

Wi-Fi/LAN arayüzü

Çamaşır makinesi, veri alışverişi için bir Wi-Fi/LAN arayüzü ile donatılmıştır.

LAN bağlantısında sunulan veri arayüzü, EN 60950 uyarınca SELV'ye (düşük güvenlik gerilimi) uygundur. LAN bağlantısı EIA/TIA 568B uyarınca bir RJ45 konektör ile gerçekleşir.

Bağlı cihazlar da SELV'ye uygun olmalıdır.

Baza (APWM029/033)

Çamaşır makinesi isteğe bağlı olarak (açık veya kapalı yapıda sonradan satın alınabilir Miele aksesuarı olarak) bir baza üzerine kurulabilir.

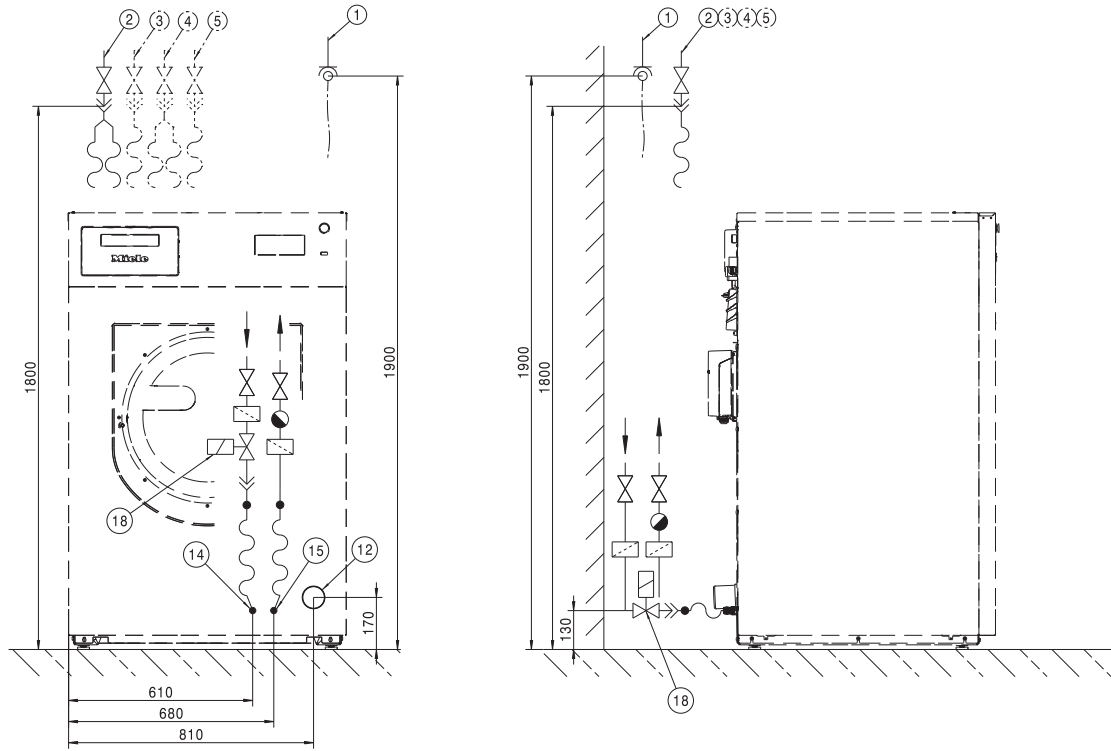
Çamaşır makinesinin yükseltilmiş olarak yerleştirilmesi makinenin doldurulması ve boşaltılması sırasında ergonomik koşullar sunar. Aynı zamanda su tahliye bağlantılarının da kolay yapılmasına olanak sağlar.

⚠ Çamaşır makinesi yerleştirildikten sonra mutlaka bazaya tespit edilmelidir! Baza da zemine tespit edilmelidir! Aksi takdirde çamaşır makinesinin sıkma sırasında aşağı düşmesi tehlikesi oluşur.

Buhar ve Köpük Tahliyesi Montaj Kiti (APWM 063)

Çok fazla köpük oluşması durumunda buhar çıkışından köpük çıkabilir. Köpüğü tahliye etmek için isteğe bağlı Buhar ve Köpük Tahliyesi Montaj Kiti (BWS) kullanılabilir.

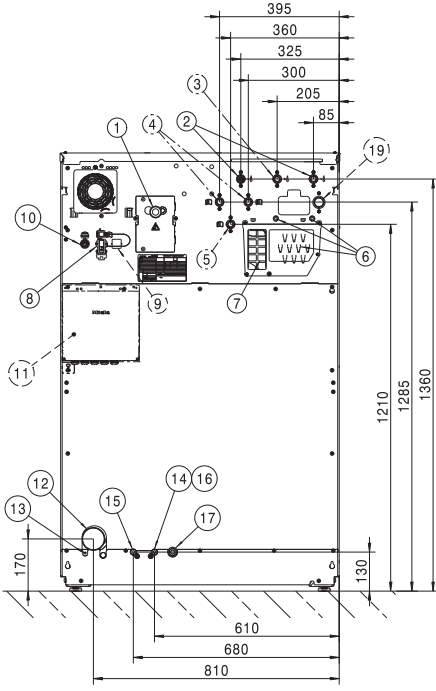
Standart SI



Ölçüler milimetre olarak verilmiştir

- | | |
|--|-----------------------------------|
| ① Elektrik bağlantısı | ⑫ Boşaltma borusu |
| ② Soğuk su bağlantısı | ⑭ SI bağlantısı, giriş |
| ③ Sıcak su bağlantısı | ⑮ SI bağlantısı, çıkış, sadece SI |
| ④ Sert su için soğuk su bağlantısı (opsiyonel) | ⑰ Buhar valfi, sadece SI/SD |
| ⑤ Sıvı dozajlama için soğuk su bağlantısı | |

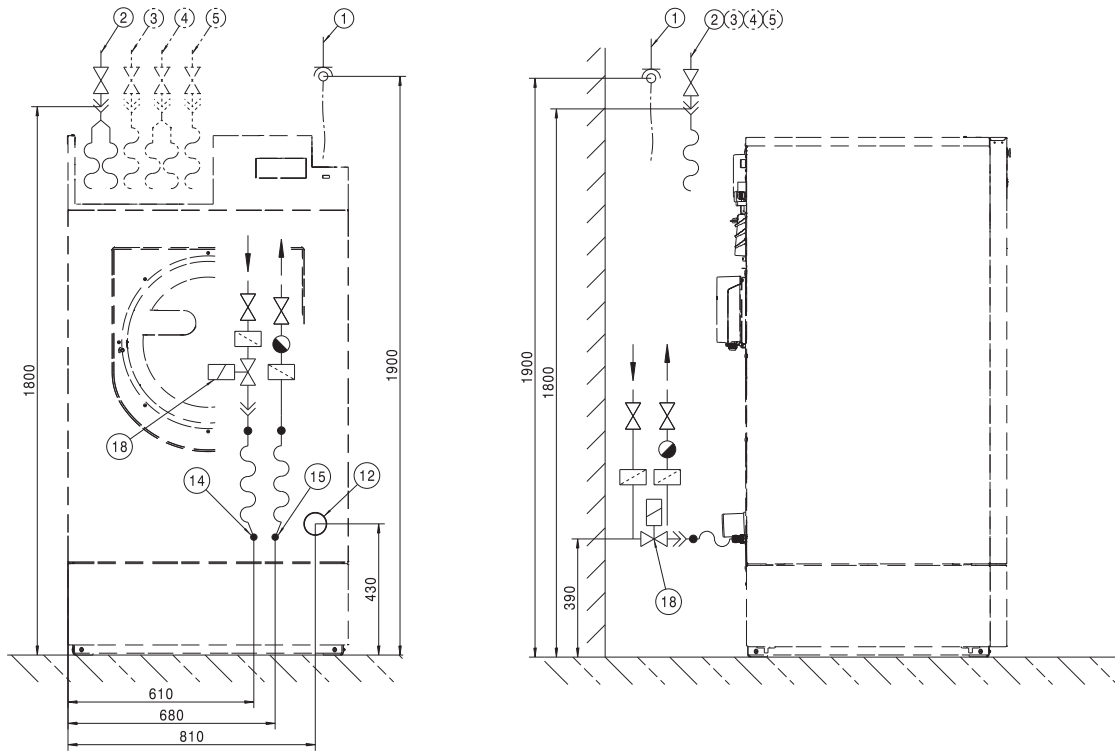
tr - Montaj



Ölçüler milimetre olarak verilmiştir

- ① Elektrik bağlantısı
- ② Soğuk su bağlantısı
- ③ Sıcak su bağlantısı
- ④ Sert su için soğuk su bağlantısı (opsiyonel)
- ⑤ Sıvı dozajlama için soğuk su bağlantısı
- ⑥ Dozaj pompası bağlantıları
- ⑦ Taşma ve hava alma
- ⑧ Connector-Box için bağlantı yeri
- ⑨ Connector Kiti için bağlantı yeri (opsiyonel)
- ⑩ LAN bağlantısı
- ⑪ Connector-Box (opsiyonel)
- ⑫ Boşaltma borusu
- ⑬ Potansiyel dengelemesi bağlantısı
- ⑭ SI bağlantısı, giriş
- ⑮ SI bağlantısı, çıkış, sadece SI
- ⑯ SD bağlantısı (doğrudan buhar)
- ⑰ Buhar valfi bağlantısı, sadece SI/SD
- ⑱ Su geri kazanımı için bağlantı (opsiyonel)

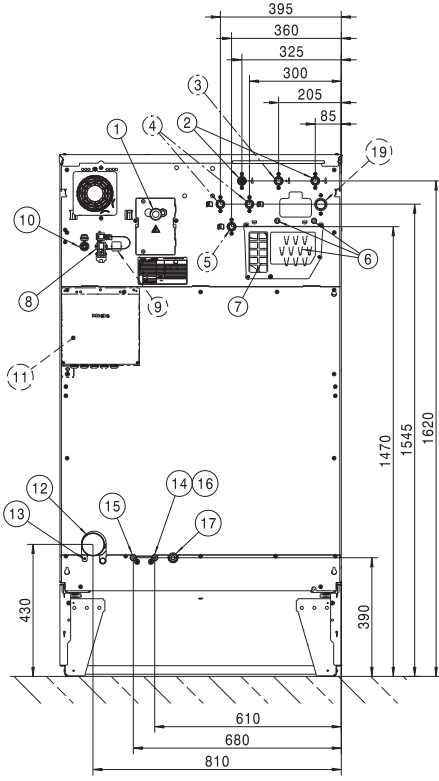
Baza SI



Ölçüler milimetre olarak verilmiştir

- | | |
|--|-----------------------------------|
| ① Elektrik bağlantısı | ⑫ Boşaltma borusu |
| ② Soğuk su bağlantısı | ⑭ SI bağlantısı, giriş |
| ③ Sıcak su bağlantısı | ⑮ SI bağlantısı, çıkış, sadece SI |
| ④ Sert su için soğuk su bağlantısı (opsiyonel) | ⑰ Buhar valfi, sadece SI/SD |
| ⑤ Sıvı dozajlama için soğuk su bağlantısı | |

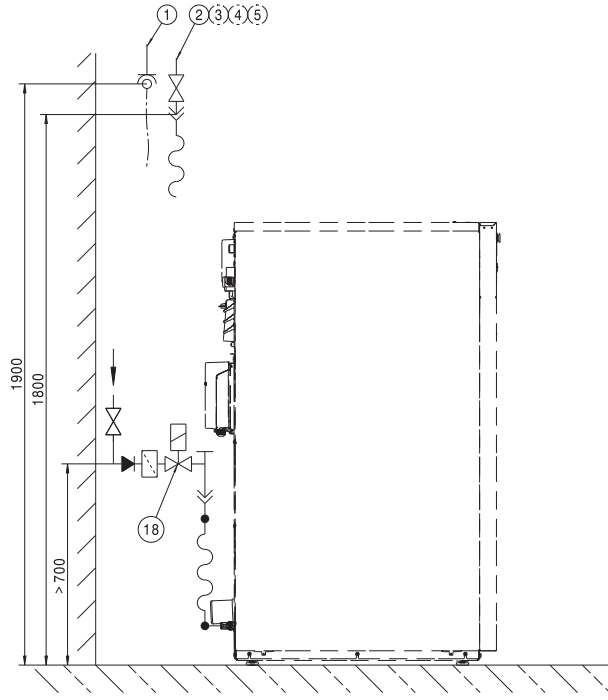
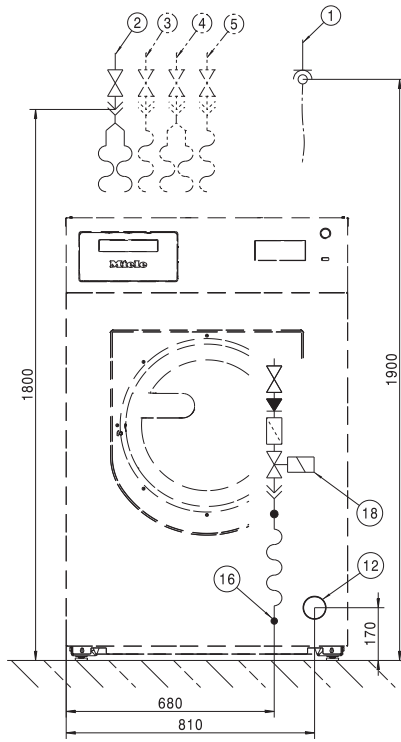
tr - Montaj



Ölçüler milimetre olarak verilmiştir

- ① Elektrik bağlantısı
- ② Soğuk su bağlantısı
- ③ Sıcak su bağlantısı
- ④ Sert su için soğuk su bağlantısı (opsiyonel)
- ⑤ Sıvı dozajlama için soğuk su bağlantısı
- ⑥ Dozaj pompası bağlantıları
- ⑦ Taşma ve hava alma
- ⑧ Connector-Box için bağlantı yeri
- ⑨ Connector Kiti için bağlantı yeri (opsiyonel)
- ⑩ LAN bağlantısı
- ⑪ Connector-Box (opsiyonel)
- ⑫ Boşaltma borusu
- ⑬ Potansiyel dengelemesi bağlantısı
- ⑭ SI bağlantısı, giriş
- ⑮ SI bağlantısı, çıkış, sadece SI
- ⑯ SD bağlantısı (doğrudan buhar)
- ⑰ Buhar valfi bağlantısı, sadece SI/SD
- ⑱ Su geri kazanımı için bağlantı (opsiyonel)

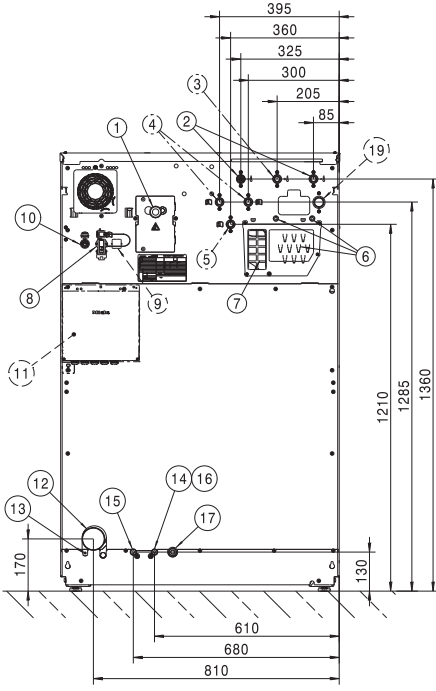
Standart SD



Ölçüler milimetre olarak verilmiştir

- | | |
|--|---|
| ① Elektrik bağlantısı | ⑤ Sıvı dozajlama için soğuk su bağlantısı |
| ② Soğuk su bağlantısı | ⑫ Boşaltma borusu |
| ③ Sıcak su bağlantısı | ⑯ SD bağlantısı (doğrudan buhar) |
| ④ Sert su için soğuk su bağlantısı (opsiyonel) | ⑱ Buhar valfi, sadece SI/SD |

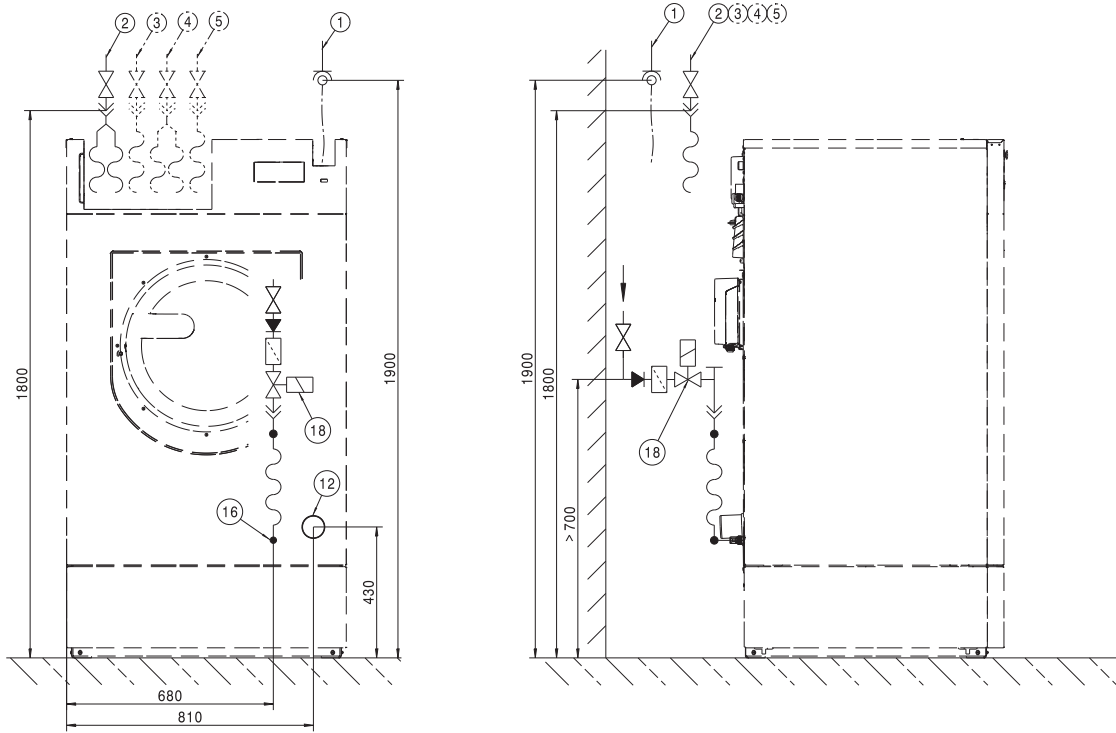
tr - Montaj



Ölçüler milimetre olarak verilmiştir

- ① Elektrik bağlantısı
- ② Soğuk su bağlantısı
- ③ Sıcak su bağlantısı
- ④ Sert su için soğuk su bağlantısı (opsiyonel)
- ⑤ Sıvı dozajlama için soğuk su bağlantısı
- ⑥ Dozaj pompası bağlantıları
- ⑦ Taşma ve hava alma
- ⑧ Connector-Box için bağlantı yeri
- ⑨ Connector Kiti için bağlantı yeri (opsiyonel)
- ⑩ LAN bağlantısı
- ⑪ Connector-Box (opsiyonel)
- ⑫ Boşaltma borusu
- ⑬ Potansiyel dengelemesi bağlantısı
- ⑭ SI bağlantısı, giriş
- ⑮ SI bağlantısı, çıkış, sadece SI
- ⑯ SD bağlantısı (doğrudan buhar)
- ⑰ Buhar valfi bağlantısı, sadece SI/SD
- ⑱ Su geri kazanımı için bağlantı (opsiyonel)

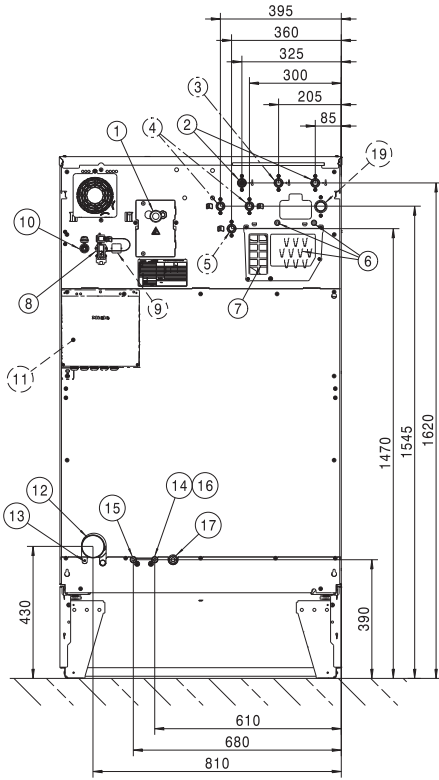
Baza SD



Ölçüler milimetre olarak verilmiştir

- | | |
|--|---|
| ① Elektrik bağlantısı | ⑤ Sıvı dozajlama için soğuk su bağlantısı |
| ② Soğuk su bağlantısı | ⑫ Boşaltma borusu |
| ③ Sıcak su bağlantısı | ⑯ SD bağlantısı (doğrudan buhar) |
| ④ Sert su için soğuk su bağlantısı (opsiyonel) | ⑱ Buhar valfi, sadece SI/SD |

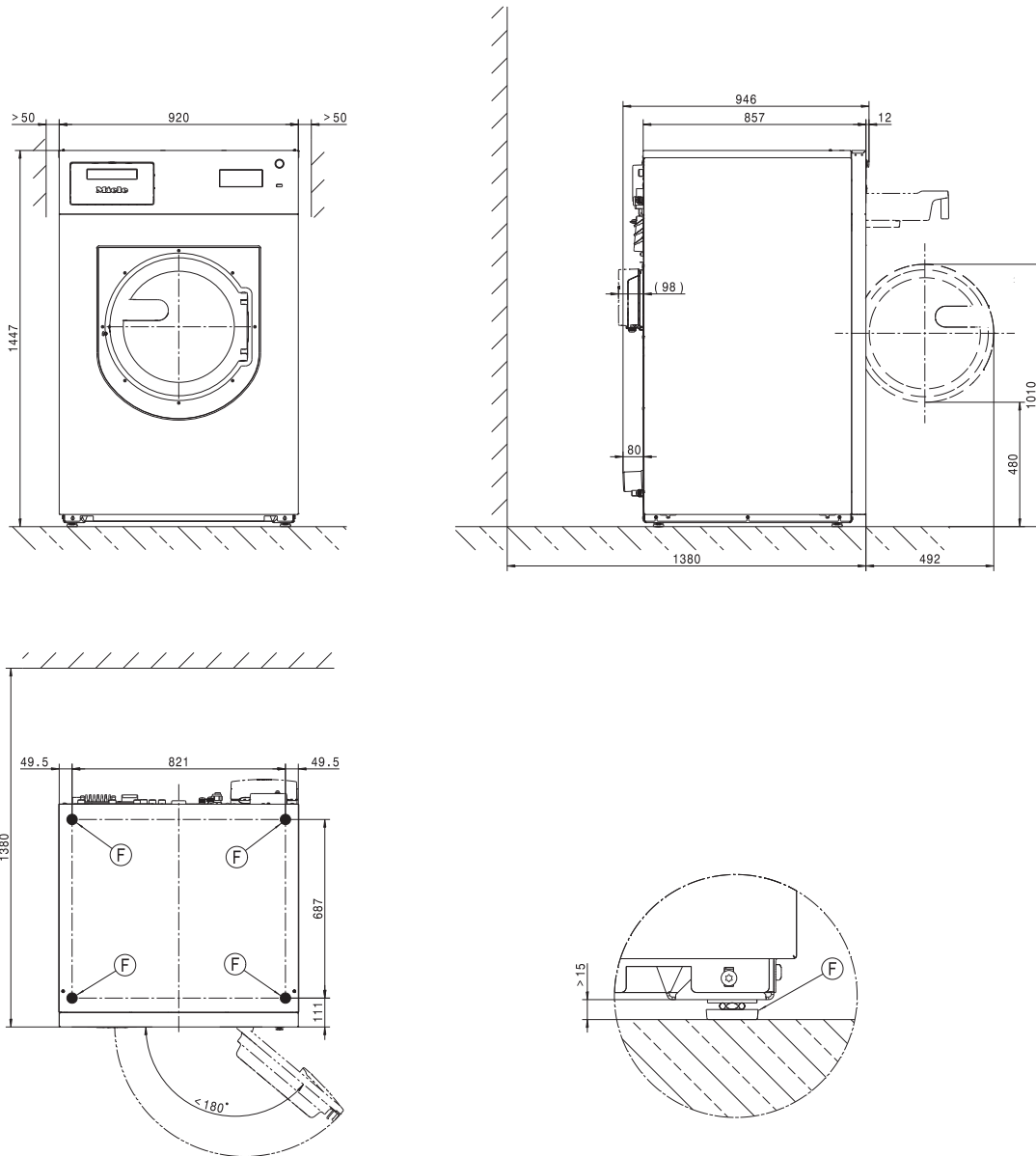
tr - Montaj



Ölçüler milimetre olarak verilmiştir

- ① Elektrik bağlantısı
- ② Soğuk su bağlantısı
- ③ Sıcak su bağlantısı
- ④ Sert su için soğuk su bağlantısı (opsiyonel)
- ⑤ Sıvı dozajlama için soğuk su bağlantısı
- ⑥ Dozaj pompası bağlantıları
- ⑦ Taşma ve hava alma
- ⑧ Connector-Box için bağlantı yeri
- ⑨ Connector Kiti için bağlantı yeri (opsiyonel)
- ⑩ LAN bağlantısı
- ⑪ Connector-Box (opsiyonel)
- ⑫ Boşaltma borusu
- ⑬ Potansiyel dengelemesi bağlantısı
- ⑭ SI bağlantısı, giriş
- ⑮ SI bağlantısı, çıkış, sadece SI
- ⑯ SD bağlantısı (doğrudan buhar)
- ⑰ Buhar valfi bağlantısı, sadece SI/SD
- ⑱ Su geri kazanımı için bağlantı (opsiyonel)

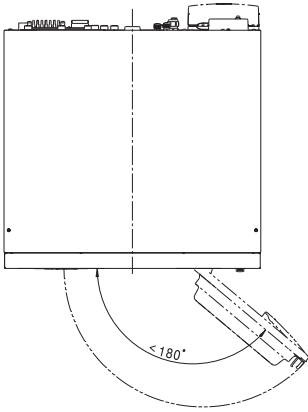
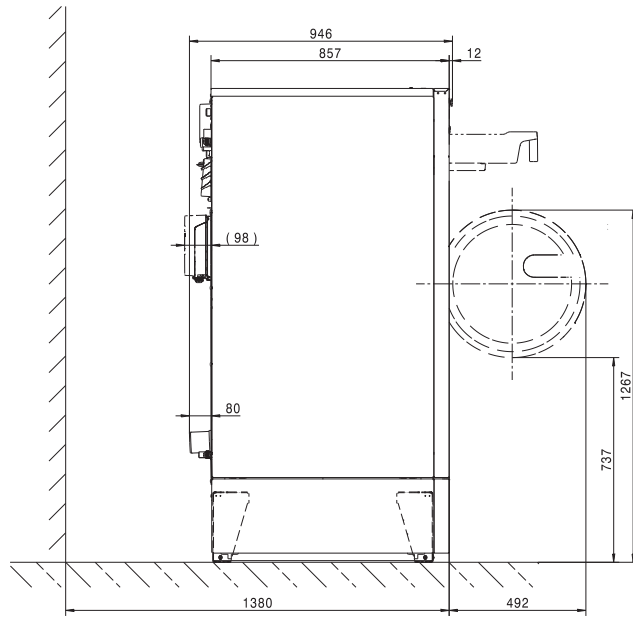
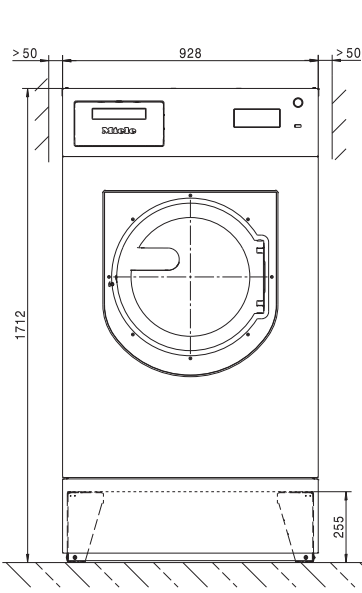
Standart



Ölçüler milimetre olarak verilmiştir

ⓕ Ayak

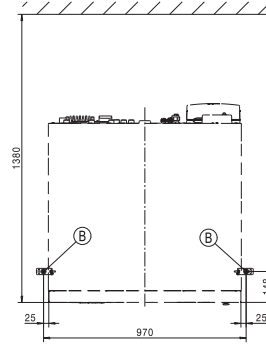
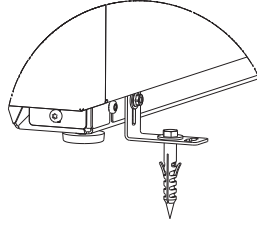
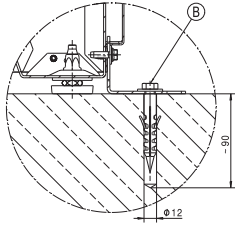
Baza



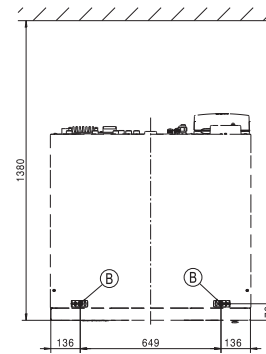
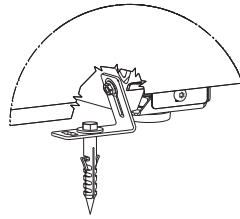
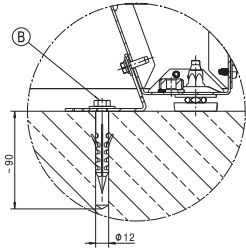
Ölçüler milimetre olarak verilmiştir

Zemine tespit

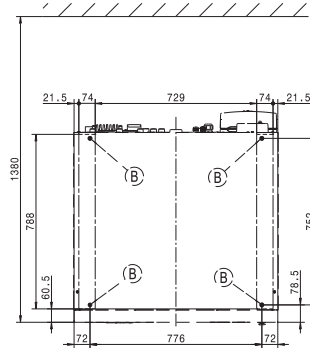
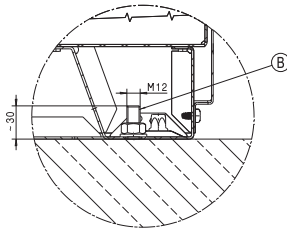
Standart



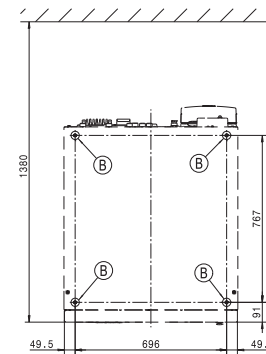
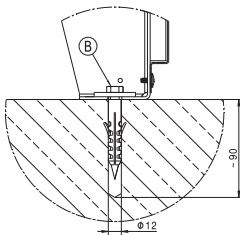
Sıralı kurulumda



Denizcilik



Baza



Ölçüler milimetre olarak verilmiştir

Ⓑ Civata/tespit noktası

tr - Teknik veriler

Gerilim alternatifleri ve elektrik verileri

3N AC 400 V SI/SD

Bağlantı gerilimi	3N AC 400 V
Frekans	50/60 Hz
Gerekli sigorta (kurulum yerinde)	16 A
Güç tüketimi	3,1 kW
Güç kablosu asgari kesiti	1,5 mm ²

Su bağlantısı

Soğuk su bağlantısı

Gerekli akış basıncı	100 - 1000 kPa (1 - 10 bar)
Maksimum hacimsel debi	31,5 l/min
Gerekli bağlantı dişlisi (dıştan dişli, DIN 44991 uyarınca uygulayıcıya ait, düz contalı)	3 x 3/4"
Cihazla birlikte verilen giriş hortumunun uzunluğu	3 x 1550 mm

Sıcak su bağlantısı

Müsaade edilen maksimum sıcak su sıcaklığı	70 °C
Gerekli akış basıncı	100 - 1000 kPa (1 - 10 bar)
Maksimum hacimsel debi	16 l/min
Gerekli bağlantı dişlisi (dıştan dişli, DIN 44991 uyarınca, düz contalı)	1 x 3/4"
Cihazla birlikte verilen giriş hortumunun uzunluğu	1550 mm

Sıcak su bağlantısı (ısıtıcısız veya düşük ısıtma gücüne sahip modellerde)

Müsaade edilen maksimum sıcak su sıcaklığı	90 °C
Gerekli akış basıncı	100 - 1000 kPa (1 - 10 bar)
Maksimum hacimsel debi	16 l/min
Gerekli bağlantı dişlisi (dıştan dişli, DIN 44991 uyarınca, düz contalı)	1 x 1"
Cihazla birlikte verilen giriş hortumunun uzunluğu	1550 mm

Sert su bağlantısı (opsiyonel)

Gerekli akış basıncı	100 - 1000 kPa (1 - 10 bar)
Maksimum hacimsel debi	32 l/min
Gerekli bağlantı dişlisi (dıştan dişli, DIN 44991 uyarınca, düz contalı)	2 x 3/4"
Cihazla birlikte verilen giriş hortumunun uzunluğu	2 x 1550 mm

Dolaylı buharlı ısıtma

Isıtma gücü (pik kapasite)	27 kW
Bağlantı dişlisi (kurulum yeri)	2 x 1/2"
Buhar solenoid valfi, kir filtresi ve buhar kesme vanası kurulum yerinde tesis edilmelidir. Buhar ısıtmalı cihazlar için kurulum talimatlarını dikkate alınız.	

Doğrudan buharlı ısıtma

Isıtma gücü (yüksek basınç pik kapasite)	37 kW
Bağlantı dişlisi (kurulum yeri)	1 x 1/2"
Buhar solenoid valfi, kir filtresi ve buhar kesme vanası kurulum yerinde tesis edilmelidir. Buhar ısıtmalı cihazlar için kurulum talimatlarını dikkate alınız.	

Atık su tahliyesi

Azami atık su sıcaklığı	95 °C
Atık su bağlantı parçası (makinede)	Plastik boru HT DN 70
Çıkış (kurulum yerinde)	Rakor DN 70
Azami çıkış hızı	200 l/min

Potansiyel dengelemesi bağlantısı

Dıştan dişli	M10
Tırtıllı pul	M10

Yerleştirme ölçüleri

Gövde genişliği (ek parçalar hariç)	920 mm
Gövde yüksekliği (ek parçalar hariç)	1447 mm
Gövde derinliği (ek parçalar hariç)	857 mm
Toplam makine genişliği	924 mm
Toplam makine yüksekliği	1450 mm
Toplam makine derinliği	946 mm
Yerleştirme yeri asgari genişliği	1020 mm
Cihaz ön yüzü ile duvar arasındaki asgari mesafe	1380 mm
Kapak açıklığı çapı	415 mm
Kapak açılma açısı	180°

Tespit

Standart

Gerekli tespit noktaları	2
DIN 571 ahşap vidası (çap x uzunluk)	12 mm x 90 mm
Dübel (çap x uzunluk)	16 mm x 80 mm

Bazalı (APWM UO/UG)

Gerekli tespit noktaları	4
DIN 571 ahşap vidası (çap x uzunluk)	12 mm x 90 mm
Dübel (çap x uzunluk)	16 mm x 80 mm

Beton kaide

Gerekli tespit noktaları	2
DIN 571 ahşap vidası (çap x uzunluk)	12 mm x 90 mm
Dübel (çap x uzunluk)	16 mm x 80 mm

tr - Teknik veriler

Nakliye verileri, ağırlık ve zemin yükü

Deterjan bölme (DD) cihaz modelleri

Ambalaj genişliği	10210 mm
Ambalaj yüksekliği	1585 mm
Ambalaj derinliği	1130 mm
Brüt hacim	2168 l
Brüt ağırlık*	410 kg
Net ağırlık*	390 kg
İşletim sırasında azami zemin yükü	5765 N







*Donanıma bağlı

Emisyon verileri

Yıkama işlemi sırasında çalışma yerine ilişkin ses basıncı seviyesi	51 dB (A)
Yıkama işleminde ses gücü seviyesi	60,0 dB (A)
Sıkma sırasında çalışma yerine ilişkin ses basıncı seviyesi	65 dB (A)
Sıkma sırasında ses gücü seviyesi	76,0 dB (A)
Kurulum yerine verilen ortalama ısı	6,48 MJ/h

Instruções de instalação	100
Explicação das indicações de segurança e indicações de aviso na máquina	100
Pré-requisitos de instalação	100
Condições de funcionamento gerais.....	100
Montagem	101
Instalação em base de betão	101
Nivelar	102
Fixar.....	102
Ligação elétrica	102
Ligação à água	104
Aviso para a Suíça.....	104
Legislação para a Áustria	104
Ligação à água fria	104
Ligação à água quente.....	105
Válvula de esgoto	105
Ligações da bomba doseadora	106
Opções / Acessórios opcionais	107
Conjunto de montagem para água dura (APWM062)	107
Connector Box APWM019/020	107
Interface Wi-Fi/LAN	109
Sapata (APWM029/033)	109
Conjunto de montagem para conduta de vapores e espuma (APWM 063).....	109
Instalação	110
Padrão SI	110
Rodapé SI.....	112
Padrão SD	114
Rodapé SD	116
Instalação	118
Padrão	118
Rodapé.....	119
Fixação ao solo	120
Caraterísticas técnicas	121
Variantes de tensão e caraterísticas elétricas	121
Ligações de água	121
Ligação à água fria	121
Ligação à água quente.....	121
Ligação de água quente (em variantes sem aquecimento e com potência de aquecimento reduzida).....	121
Ligação para água dura (opcional)	121
Aquecimento a vapor indireto	121
Aquecimento a vapor direto	122
Descarga de água de esgoto	122
Entrada para ligação equipotencial	122
Dimensões de instalação	122
Fixação	122
Dados de transporte, peso e carga exercida sobre o solo	123
Variantes do aparelho com gaveta de detergente (DD).....	123
Dados de emissão.....	123

Explicação das indicações de segurança e indicações de aviso na máquina

	Leia as instruções de utilização
	Leia as instruções, por ex., instruções de instalação
	Cuidado, superfícies quentes
	Cuidado, tensão até 1000 volts
	Ligação à terra
	Ligação equipotencial

Pré-requisitos de instalação

A instalação da máquina de lavar roupa só deve ser efetuada pelo serviço de assistência técnica da Miele ou por um técnico autorizado.

- ▶ A instalação da máquina de lavar roupa tem de ser efetuada em conformidade com as regras e normas aplicáveis. Além disso, os regulamentos da companhia de eletricidade local devem ser observados.
- ▶ Utilize a máquina de lavar roupa somente em locais bem ventilados e sem risco de ocorrência de gelo.

A máquina de lavar roupa não se destina a funcionar em atmosferas potencialmente explosivas!

Condições de funcionamento gerais

Esta máquina de lavar roupa destina-se ao uso industrial e não pode ser utilizada no exterior.

- Temperatura ambiente: 0-40 °C
- Humidade relativa do ar: sem condensação
- Altura de instalação máxima acima do nível do mar: 2000 m

Dependendo da natureza do local de instalação, pode ocorrer ruído ou transmissões de vibração.

Dica: Se forem colocados requisitos de isolamento de som para o local de instalação do aparelho, solicite a um técnico qualificado a inspeção do espaço.

Montagem

Transporte a máquina de lavar roupa com uma empilhadora até ao local de instalação e retire aí a embalagem de transporte.

A máquina de lavar roupa tem de ser instalada sobre uma superfície firme, totalmente estável e nivelada para que possa suportar, pelo menos, a capacidade de carga no piso indicada (consulte o capítulo «Caraterísticas técnicas»).

Dica: A superfície de instalação mais adequada será um pavimento de betão. Ao contrário do soalho em madeira ou de uma superfície mais macia, a superfície em betão não provoca oscilações do aparelho durante a centrifugação.

A carga no piso exercida pela máquina de lavar roupa atua como carga superficial na área da superfície de contacto na superfície de instalação.

Devido aos movimentos dinâmicos da máquina durante o funcionamento, a máquina de lavar roupa necessita de distâncias laterais de, pelo menos, 50 mm. A distância do lado traseiro do aparelho até à parede traseira deveria ser no mínimo de 400 mm.

A máquina de lavar roupa não pode ser colocada num piso alcatifado.

Fixe a máquina de lavar roupa ao piso nos pontos de fixação previstos com o material de fixação contido no volume de fornecimento.

O material de fixação fornecido destina-se à fixação por bucha a um pavimento de betão. Caso existam outras estruturas de piso no local de instalação, o material de fixação deve ser fornecido pelo cliente no local.

Instalação em base de betão

Opcionalmente, a máquina de lavar pode ser instalada numa base de betão.

A qualidade do betão e a resistência da base de betão têm de ser determinadas de acordo com a capacidade de carga do solo no capítulo «Caraterísticas técnicas».

- Certifique-se de que base de betão possui aderência suficiente ao solo e consegue suportar a carga exercida pela máquina para assegurar a estabilidade estática do aparelho.
- Após a instalação da base, fixe a máquina impreterivelmente com o material de fixação fornecido.

⚠ Após a instalação, a máquina tem de ser impreterivelmente fixa à base de betão!

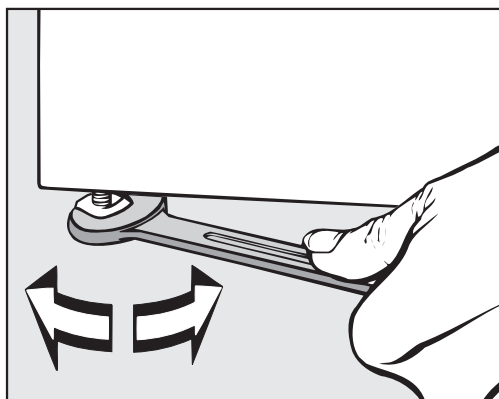
Sem fixação existe o risco de a máquina de lavar tombar durante a centrifugação, caindo da base.

Nivelar

- Nivele a máquina de lavar após a instalação na longitudinal e transversal com um nível de bolha e os pés de apoio reguláveis.

Para que seja assegurado um funcionamento correto e eficiente do ponto de vista energético, após a sua instalação a máquina de lavar tem de ser alinhada na horizontal e de forma uniforme sobre os quatro pés de apoio. Caso contrário, o consumo de água e energia elétrica aumenta e a máquina até pode saltar do lugar.

- Após o nivelamento, aperte as porcas de segurança com uma chave de parafusos rodando-as no sentido contrário aos ponteiros do relógio, para que os pés não saiam da posição.



Fixar

- Para assegurar a estabilidade, fixe a máquina ao solo através dos pés de apoio com o material de fixação fornecido.

O material de fixação fornecido junto destina-se à fixação por bucha a um pavimento de betão. Para outras estruturas de solo deve ser pedido o respectivo material de fixação em separado.

Ligação elétrica

A ligação elétrica deve ser efetuada exclusivamente por um eletricitista qualificado, que será totalmente responsável pelo cumprimento das normas e legislação existentes.

- ▶ A máquina de lavar tem de ser ligada a uma instalação elétrica que foi projetada de acordo com as normas nacionais e locais. Além disso, devem ser tidos em conta os regulamentos da empresa fornecedora de eletricidade, os regulamentos de prevenção de acidentes e os regulamentos técnicos reconhecidos.
- ▶ A tensão de alimentação necessária, o consumo de energia e os requisitos para a proteção externa por fusíveis estão indicados na placa de características da máquina de lavar. Certifique-se de que os valores de tensão da rede elétrica correspondem às especificações de tensão constantes da placa de características antes de a máquina de lavar ser ligada à corrente.

Ao efetuar a ligação a uma tensão diferente da indicada na placa de características poderá ocorrer o mau funcionamento ou a avaria da máquina.

Se na placa de características estiverem indicados vários valores de tensão, então a máquina pode ser comutada pelo serviço de assistência técnica da Miele para um dos valores de tensão indicados.

► A comutação de tensão só pode ser efetuada pelo serviço de assistência técnica ou por distribuidores autorizados Miele. Observe as indicações no esquema elétrico.

A máquina de lavar pode ser ligada através de uma ligação fixa ou através de uma ficha de acordo com a norma IEC 60309-1. Para efetuar uma ligação fixa, deve ser instalado no local um quadro elétrico omnipolar.

Como quadro elétrico são válidos os que têm uma abertura de contato com mais de 3 mm. Estes incluem, p. ex., disjuntores, fusíveis e contatores (IEC/EN 60947).

O quadro elétrico (incluindo a ficha) deve estar protegido contra ligação involuntária e não autorizada quando não estiver previsto monitorizar uma interrupção permanente de corrente a partir de todos os pontos de acesso.

Dica: De preferência deve efetuar a ligação da máquina à corrente através de uma ficha para que qualquer trabalho de manutenção ou testes elétricos possam ser realizados mais facilmente e em segurança.

► Se, de acordo com os requisitos locais, for necessário instalar um disjuntor diferencial residual (RCD), tem de ser obrigatoriamente utilizado um disjuntor diferencial residual tipo B (universal).

Se estiver instalado um disjuntor diferencial residual (RCD) tipo A, terá de ser trocado por um do tipo B.

► De acordo com as disposições locais e nacionais em vigor relativas à instalação, poderá ser necessário instalar uma ligação equipotencial com bom contacto.

No caso de correntes de fuga >10 mA tem de ser realizada uma ligação equipotencial.

Os acessórios necessários para a ligação equipotencial não fazem parte do âmbito de fornecimento.

Ligação à água

De acordo com as normas alemãs relativas à água potável, a partir de 21.03.2021 na Alemanha, uma válvula antirretorno deverá ser instalada entre a torneira de água e a mangueira de entrada de água durante a colocação em funcionamento de todos os aparelhos que são ligados à água quente e/ou fria. A válvula antirretorno garante que nenhuma água flua de volta da mangueira de entrada de água para a conduta de água potável no local.

Dispositivos antirretorno estão contidos no volume de entrega.

A pressão de fluxo deve ser de, no mínimo, 100 kPa e não pode ser superior a 1000 kPa. Se a pressão de fluxo for superior a 1000 kPa, deve usada uma válvula redutora de pressão.

Para a ligação à água, só podem ser usadas as mangueiras de entrada de água fornecidas.

⚠ As uniões roscadas estão sob pressão da tubagem da água. Mediante abertura lenta das torneiras de água, verifique se as ligações estão estanques. Se necessário, corrija o encaixe da junta e da união roscada.

Aviso para a Suíça

Em conformidade com a norma SIA 385.351/EN 1717 e a recomendação da SVGW, deve ser instalado um dispositivo antirretorno. Pode obter um dispositivo antirretorno em conformidade com a norma junto do seu canalizador.

Legislação para a Áustria

Para a tubagem de ligação do ponto de ligação no aparelho à unidade interna só devem ser utilizados os tubos rígidos enumerados no artigo 12, secção 1, do regulamento de execução da lei austríaca relativa à distribuição da água de 1960 (Wasserversorgungsgesetz).

A utilização de mangueiras de borracha ou de plástico como tubagens de ligação sob pressão entre a unidade interna e o aparelho só é, então, permitida se as mesmas:

- incluindo os encaixes de ligação integrados suportarem uma pressão de duração mínima de 1500 kPa (15 bar),
- elas forem bem supervisionadas durante a colocação em funcionamento do aparelho,
- após a respectiva utilização do aparelho, devido ao bloqueio da afluência de água antes da mangueira de borracha ou de plástico elas forem colocadas fora de funcionamento, de forma fiável, ou forem separadas principalmente da unidade interna.

Ligação à água fria

Para a ligação à água fria deve ser usada 1 torneira de água com uma rosca exterior de $\frac{3}{4}$ ". Opcionalmente, é possível utilizar o distribuidor de ligação fornecido (união em Y) para ligar 2 mangueiras de entrada de água com união roscada de $\frac{3}{4}$ " a uma torneira de água comum com rosca exterior de 1".

Ligação à água quente

A mangueira de entrada de água fria (risca azul) não é adequada para uma ligação à água quente.

Para manter o consumo de energia o mais baixo possível durante a operação com água quente, a máquina de lavar roupa deve ser ligada a um circuito fechado de água quente.

Em caso de não utilização constante, as chamadas «condutas de derivação» (condutas individuais que conduzem ao aquecedor de água) levam ao arrefecimento da água que se encontra na conduta. Nesse caso, para aquecimento da solução de lavagem seria preciso gastar mais energia elétrica.

Para a ligação à água quente, utilize a mangueira de entrada fornecida (risca vermelha).

A temperatura da água quente de entrada não pode exceder 70 °C.

Se não existir uma conduta de água quente, a mangueira de entrada para água quente tem de ser ligada também ao abastecimento de água fria. Nesse caso, é necessária uma peça em Y adicional. A necessidade de água fria da máquina de lavar roupa é aumentada adicionalmente à quantidade de água quente necessária originalmente.

Por razões funcionais e técnicas inerentes ao processo, não é possível uma operação exclusiva com água quente.

Mesmo que exista uma ligação à água quente, a máquina de lavar roupa tem de ser ligada a uma linha de abastecimento de água fria.

Válvula de esgoto

Nas máquinas de lavar roupa com uma válvula de esgoto, o esgoto da água de lavagem é efetuado por uma válvula motorizada. A válvula de esgoto pode ser ligada diretamente ao sistema de esgoto (sem sifão) ou a uma drenagem subterrânea (câmara de esgoto com sifão) através de uma tubuladura angular HT DN 70 à venda no comércio.

Graças ao mecanismo de fecho otimizado e uma maior secção de esgoto, quase não há acumulação de depósitos nem obstruções mesmo na presença de sujidade grosseira. Para ser possível esvaziar a cuba, mesmo no caso de falha de corrente, a válvula de esgoto possui um dispositivo de comando manual para casos excecionais.


Para um esgoto sem problemas, é necessária uma instalação ventilada das condutas.

Se forem ligados vários aparelhos a uma conduta coletiva, esta tem de apresentar uma secção suficientemente grande para a operação simultânea de todos os aparelhos.

Para ventilação de um tubo HT DN 70, pode utilizar o conjunto de montagem adequado da Miele com o n.º de referência 05 238 090, disponível junto do serviço de assistência técnica da Miele ou do distribuidor Miele.

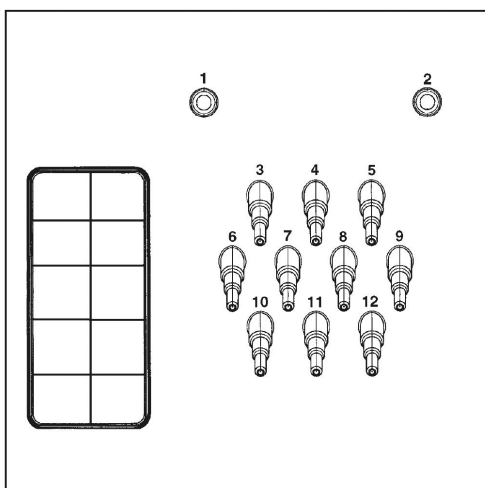
No caso de uma pendente de fluxo demasiado elevada, deve ser prevista uma ventilação dos tubos, para evitar a formação de vácuo no sistema de esgoto da máquina de lavar roupa.

No caso de atrasos de esgoto da água ou refluxo no tambor de lavagem (devido a uma secção demasiado pequena), podem ocorrer problemas na sequência do programa, os quais provocam mensagens de erro nos aparelhos.

 A água de lavagem escoada pode apresentar uma temperatura até 95 °C. Existe risco de queimaduras!
Evite o contacto direto.

Ligações da bomba doseadora

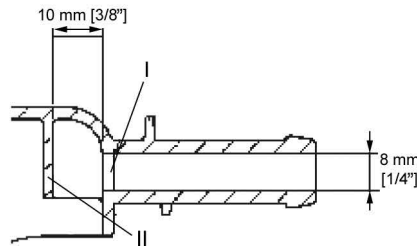
À máquina de lavar roupa podem ser ligadas até 12 bombas doseadoras.



Ligações das bombas doseadoras na parte de trás do aparelho

As ligações **1** e **2** são previstas para a dosagem de pastas e também devem ser utilizadas para sistemas de dosagem de alta pressão com purga de água. Os sistemas de dosagem devem estar equipados com um dispositivo de segurança de água potável, em separado, em conformidade com as EN 61770 e EN 1717. O caudal máximo é de 1500 ml/min com, no máximo, 300 kPa de pressão de fluxo.

Estes bocais de ligação estão fechados e têm de ser perfurados, antes da ligação, com uma broca de 8 mm.



Tenha em atenção que apenas o primeiro painel (I) pode ser perfurado, pois 10 mm atrás do primeiro painel encontra-se um painel de amortecimento (II).

As ligações **3 a 12** estão previstas para detergente líquido. Nestas ligações não podem ser ligados sistemas de dosagem de alta pressão com purga de água. Os bocais de ligação estão fechados e têm de ser cortados com uma pequena serra, antes da ligação, até ao diâmetro da mangueira.

Se os bocais de ligação abertos deixarem de ser utilizados, estes têm de voltar a ser fechados com um material de vedação adequado (p. ex., silicone).

A ligação, bem como a calibração das bombas doseadoras externas, é efetuada através da Connector Box disponível de forma opcional.

Para um registo preciso da quantidade doseada podem, em alternativa, ser também ligados fluxímetros ou sensores de fluxo.

Para cada meio de dosagem utilizado estão disponíveis ligações para uma monitorização do nível vazio.

Opções / Acessórios opcionais

Só é possível instalar ou montar acessórios se forem expressamente recomendados pela Miele.

Se forem montadas ou ligadas outras peças, fica excluído o direito à garantia.

Conjunto de montagem para água dura (APWM062)

A ligação para os pontos de água dura pode ser posteriormente equipada com o conjunto de montagem para água dura (APWM062) opcional na máquina de lavar roupa.

A água dura pode ser utilizada através da ligação à água adicional, encurtando desse modo o tempo de funcionamento do programa. A água dura é também apropriada para ciclos de lavagem finais.

Connector Box APWM019/020

A Connector Box permite que hardwares externos da Miele e de outros fornecedores sejam ligados à máquina Miele Professional.

Também podem ser conectados fluxímetros à Connector Box para a entrada de água (APWM065).

Gestão de pico de corrente/energia

Através da Connector Box pode ser conectada uma gestão de pico de corrente/energia.

pt - Instruções de instalação

O sistema de desativação de picos de corrente monitoriza o consumo de energia de um objeto, para desativar seletivamente consumidores individuais durante um curto período e impedir, dessa forma, que o limite de carga seja excedido. A monitorização é feita por um comando externo.

Ao ativar a função picos de corrente, o aquecimento é desligado e o programa para. No visor aparece então a mensagem correspondente.

No final da função de picos de corrente, o programa continua automaticamente como antes.

Ligação para dosagem de líquidos

Para uma dosagem com detergentes líquidos podem ser utilizadas bombas doseadoras de líquido externas com deteção de estado vazio ou medidores do volume de caudal (fluxímetros).

A programação das bombas doseadoras apenas pode ser executada pelo serviço de assistência técnica da Miele com MDU.

Ao utilizar e combinar produtos de lavagem auxiliares e produtos especiais, é imprescindível que tenha em conta as indicações de utilização do fabricante.

Mealheiro

A máquina de lavar roupa pode ser equipada, através da Connector Box, com um sistema de pagamento individual como acessório opcional.

A programação necessária pode ser executada durante a primeira colocação em funcionamento. Após conclusão da primeira colocação em funcionamento, as alterações apenas podem ser efetuadas pelos distribuidores Miele ou pelo serviço de assistência técnica da Miele.

Interface Wi-Fi/ LAN

A máquina de lavar roupa está equipada com uma interface Wi-Fi/LAN para intercâmbio de dados.

A interface de dados disponibilizada na ligação LAN está em conformidade com a SELV (baixa tensão) de acordo com a EN 60950. A ligação LAN ocorre com uma ficha RJ45 conforme a EIA/TIA 568B.

Os aparelhos ligados devem igualmente estar em conformidade com a SELV.

Sapata (APWM029/033)

Opcionalmente, a máquina de lavar roupa pode ser instalada com uma sapata (disponível como acessório opcional Miele em versão fechada ou aberta).

A instalação elevada da máquina de lavar roupa permite uma forma de trabalhar mais ergonómica durante as operações de carga e descarga. Ao mesmo tempo, permite a instalação fácil de uma ligação para águas residuais.

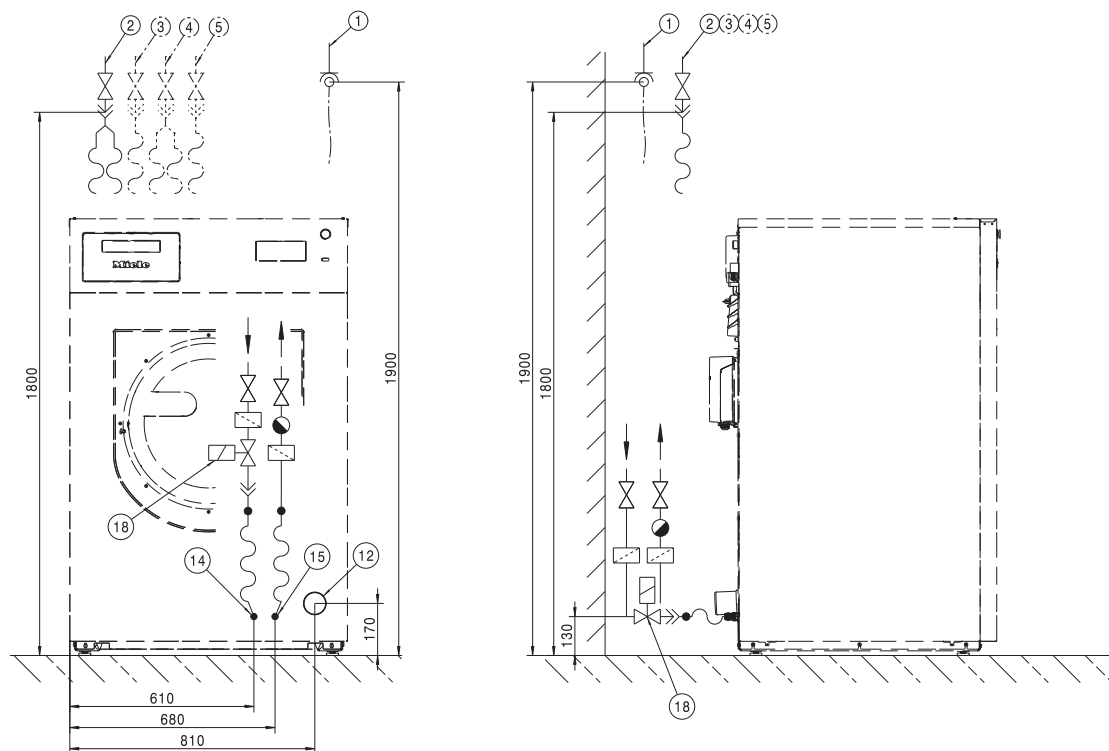
⚠ Após a instalação, a máquina de lavar roupa tem de ser imprimevelmente fixada à sapata! A sapata tem de ser fixa ao pavimento!

Sem fixação existe risco de a máquina de lavar roupa tombar durante a centrifugação.

Conjunto de montagem para condução de vapores e espuma (APWM 063)

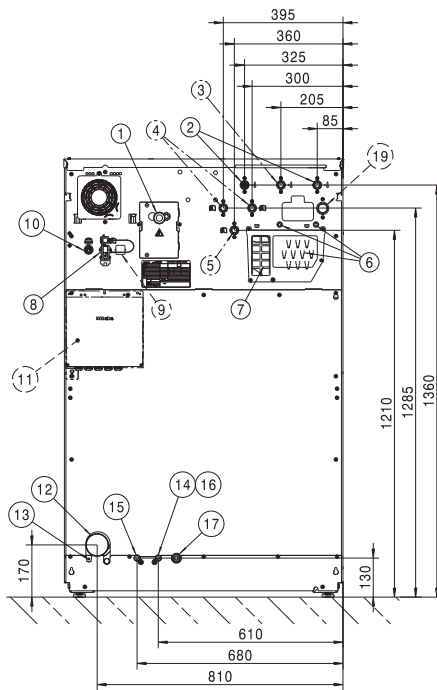
No caso de produção de espuma elevada, da extração de vapores pode sair espuma. Para escoar a espuma pode ser usado o conjunto de montagem opcional Condução de vapores e espuma (BWS).

Padrão SI



Dimensões em milímetros

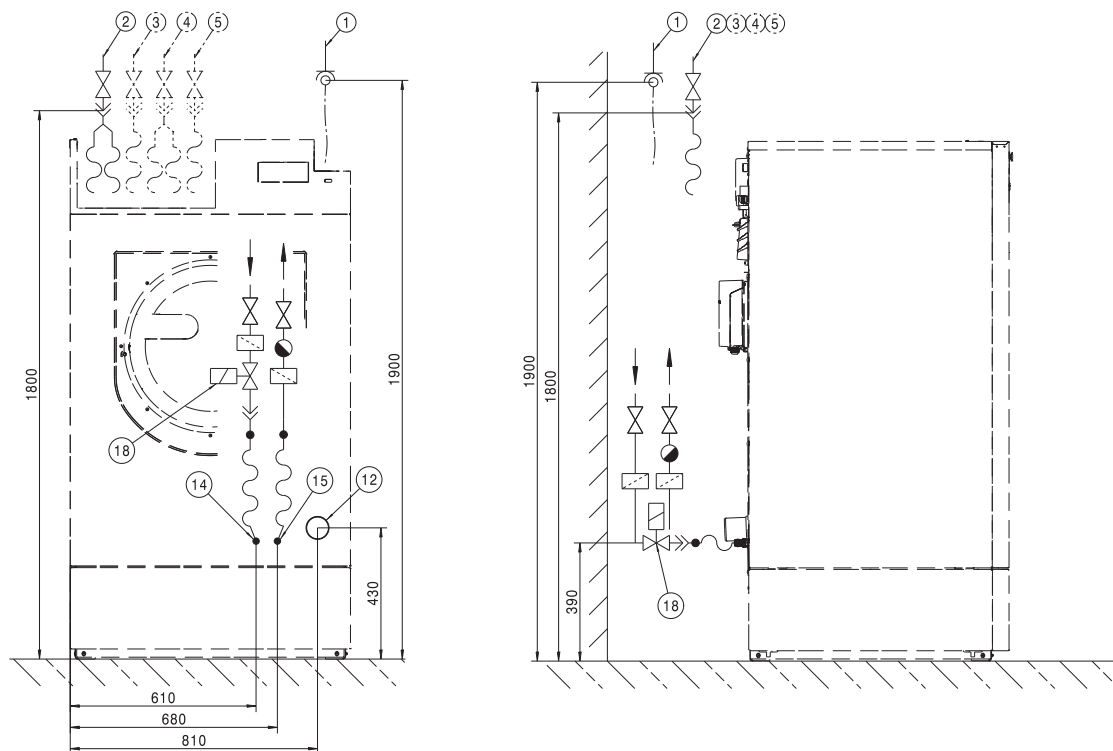
- ① Ligação elétrica
- ② Ligação à água fria
- ③ Ligação à água quente
- ④ Ligação à água fria para água dura (opcional)
- ⑤ Ligação à água fria para dosagem de líquidos
- ⑫ Tubo de esgoto
- ⑭ Ligação SI, entrada
- ⑮ Ligação SI, descarga apenas SI
- ⑰ Válvula de vapor apenas SI/SD



Dimensões em milímetros

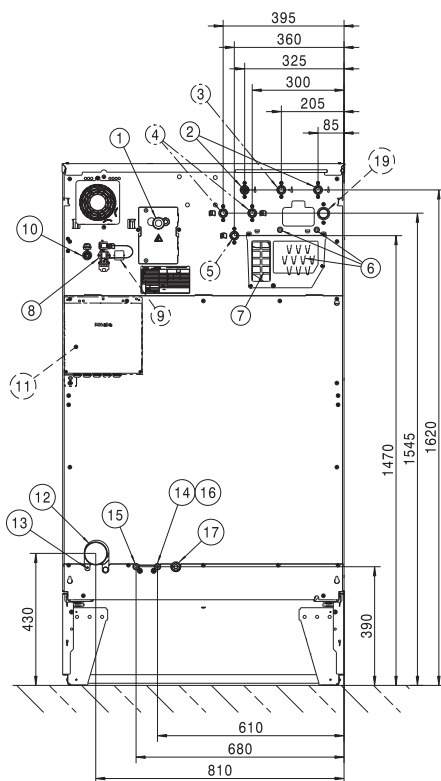
- ① Ligação elétrica
- ② Ligação à água fria
- ③ Ligação à água quente
- ④ Ligação à água fria para água dura (opcional)
- ⑤ Ligação à água fria para dosagem de líquidos
- ⑥ Ligações da bomba doseadora
- ⑦ Transbordo e ventilação
- ⑧ Ligação para Connector Box
- ⑨ Ligação para Connector Kit (opcional)
- ⑩ Ligação LAN
- ⑪ Connector Box (opcional)
- ⑫ Tubo de esgoto
- ⑬ Entrada para ligação equipotencial
- ⑭ Ligação SI, entrada
- ⑮ Ligação SI, descarga apenas SI
- ⑯ Ligação SD (vapor direto)
- ⑰ Ligação válvula de vapor apenas SI/SD
- ⑱ Ligação para recuperação de água (opcional)

Rodapé SI



Dimensões em milímetros

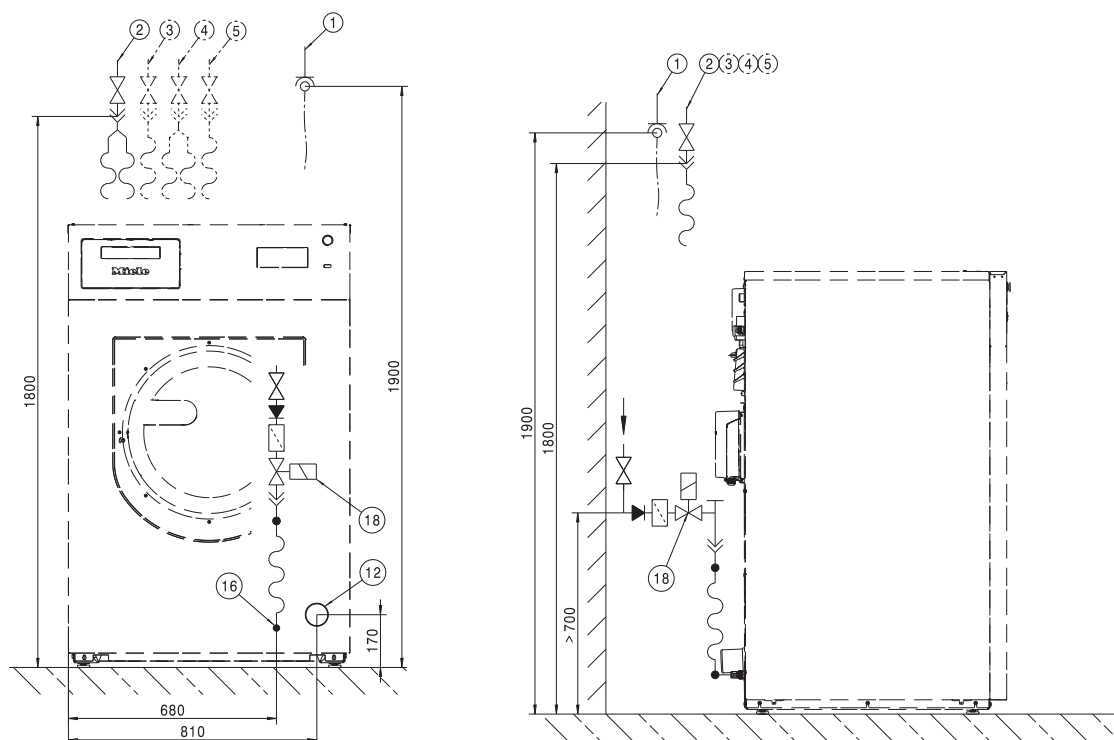
- ① Ligação elétrica
- ② Ligação à água fria
- ③ Ligação à água quente
- ④ Ligação à água fria para água dura (opcional)
- ⑤ Ligação à água fria para dosagem de líquidos
- ⑫ Tubo de esgoto
- ⑭ Ligação SI, entrada
- ⑮ Ligação SI, descarga apenas SI
- ⑱ Válvula de vapor apenas SI/SD



Dimensões em milímetros

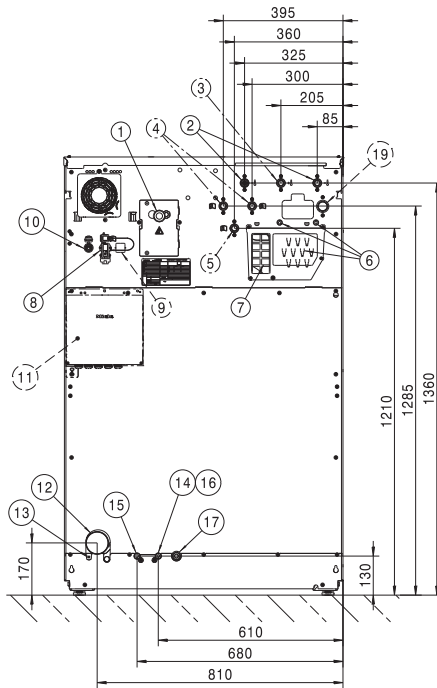
- ① Ligação elétrica
- ② Ligação à água fria
- ③ Ligação à água quente
- ④ Ligação à água fria para água dura (opcional)
- ⑤ Ligação à água fria para dosagem de líquidos
- ⑥ Ligações da bomba doseadora
- ⑦ Transbordo e ventilação
- ⑧ Ligação para Connector Box
- ⑨ Ligação para Connector Kit (opcional)
- ⑩ Ligação LAN
- ⑪ Connector Box (opcional)
- ⑫ Tubo de esgoto
- ⑬ Entrada para ligação equipotencial
- ⑭ Ligação SI, entrada
- ⑮ Ligação SI, descarga apenas SI
- ⑯ Ligação SD (vapor direto)
- ⑰ Ligação válvula de vapor apenas SI/SD
- ⑱ Ligação para recuperação de água (opcional)

Padrão SD



Dimensões em milímetros

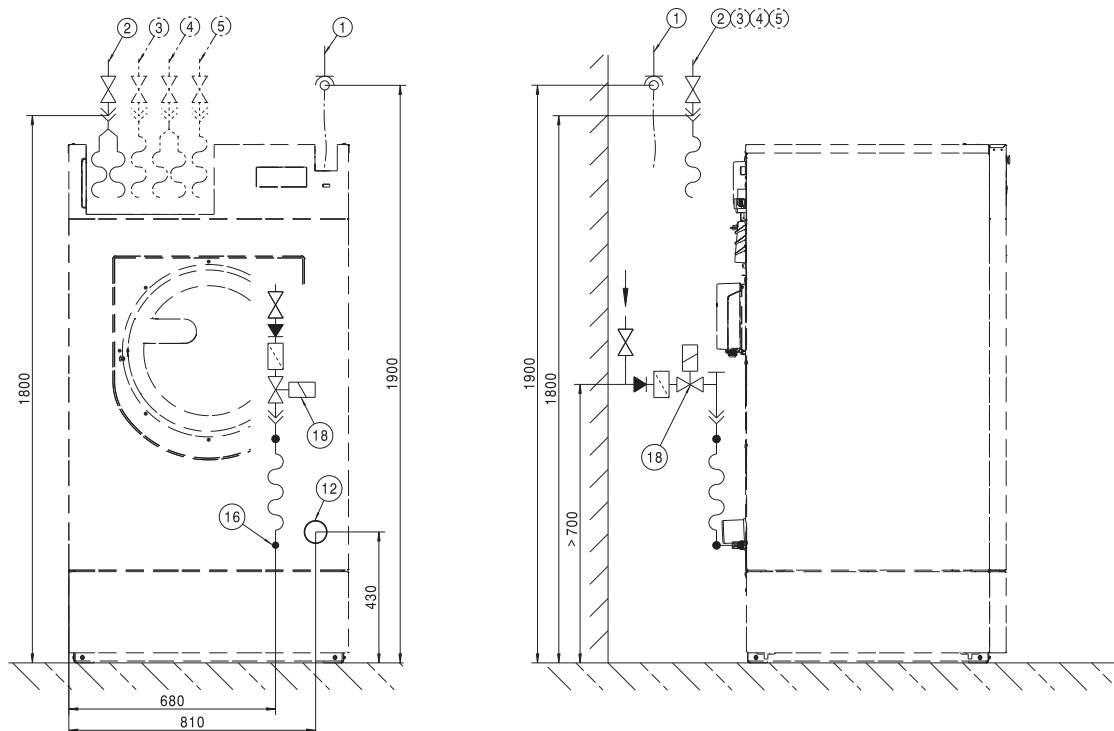
- ① Ligação elétrica
- ② Ligação à água fria
- ③ Ligação à água quente
- ④ Ligação à água fria para água dura (opcional)
- ⑤ Ligação à água fria para dosagem de líquidos
- ⑫ Tubo de esgoto
- ⑯ Ligação SD (vapor direto)
- ⑰ Válvula de vapor apenas SI/SD



Dimensões em milímetros

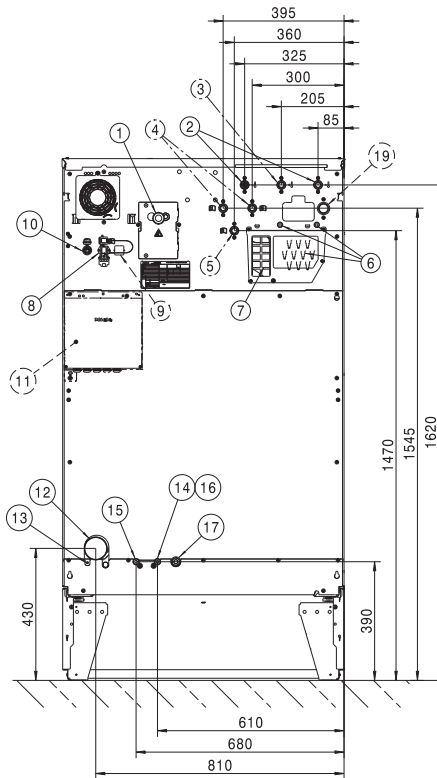
- ① Ligação elétrica
- ② Ligação à água fria
- ③ Ligação à água quente
- ④ Ligação à água fria para água dura (opcional)
- ⑤ Ligação à água fria para dosagem de líquidos
- ⑥ Ligações da bomba doseadora
- ⑦ Transbordo e ventilação
- ⑧ Ligação para Connector Box
- ⑨ Ligação para Connector Kit (opcional)
- ⑩ Ligação LAN
- ⑪ Connector Box (opcional)
- ⑫ Tubo de esgoto
- ⑬ Entrada para ligação equipotencial
- ⑭ Ligação SI, entrada
- ⑮ Ligação SI, descarga apenas SI
- ⑯ Ligação SD (vapor direto)
- ⑰ Ligação válvula de vapor apenas SI/SD
- ⑱ Ligação para recuperação de água (opcional)

Rodapé SD



Dimensões em milímetros

- ① Ligação elétrica
- ② Ligação à água fria
- ③ Ligação à água quente
- ④ Ligação à água fria para água dura (opcional)
- ⑤ Ligação à água fria para dosagem de líquidos
- ⑫ Tubo de esgoto
- ⑯ Ligação SD (vapor direto)
- ⑰ Válvula de vapor apenas SI/SD

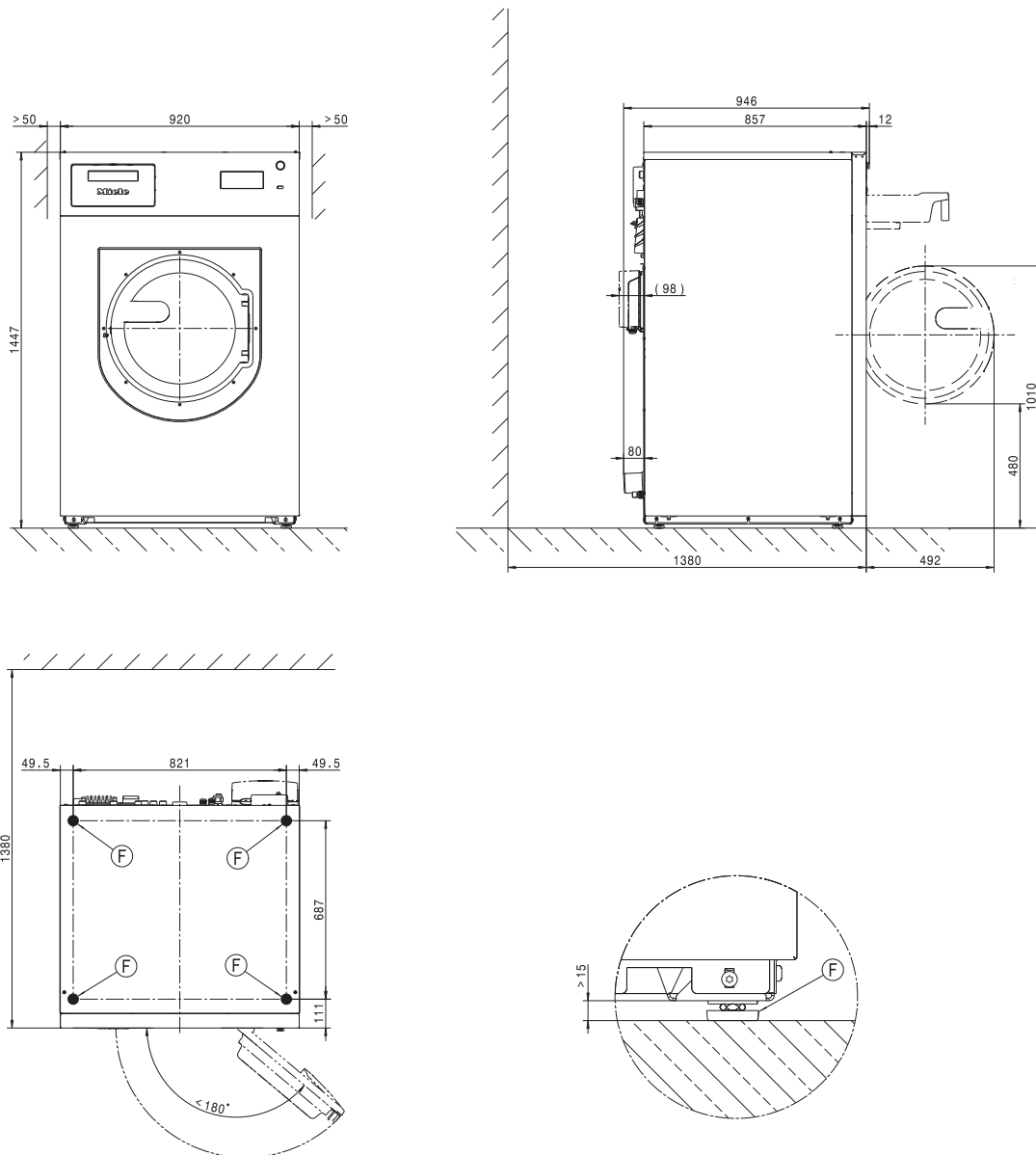


Dimensões em milímetros

- ① Ligação elétrica
- ② Ligação à água fria
- ③ Ligação à água quente
- ④ Ligação à água fria para água dura (opcional)
- ⑤ Ligação à água fria para dosagem de líquidos
- ⑥ Ligações da bomba doseadora
- ⑦ Transbordo e ventilação
- ⑧ Ligação para Connector Box
- ⑨ Ligação para Connector Kit (opcional)
- ⑩ Ligação LAN
- ⑪ Connector Box (opcional)
- ⑫ Tubo de esgoto
- ⑬ Entrada para ligação equipotencial
- ⑭ Ligação SI, entrada
- ⑮ Ligação SI, descarga apenas SI
- ⑯ Ligação SD (vapor direto)
- ⑰ Ligação válvula de vapor apenas SI/SD
- ⑱ Ligação para recuperação de água (opcional)

pt - Instalação

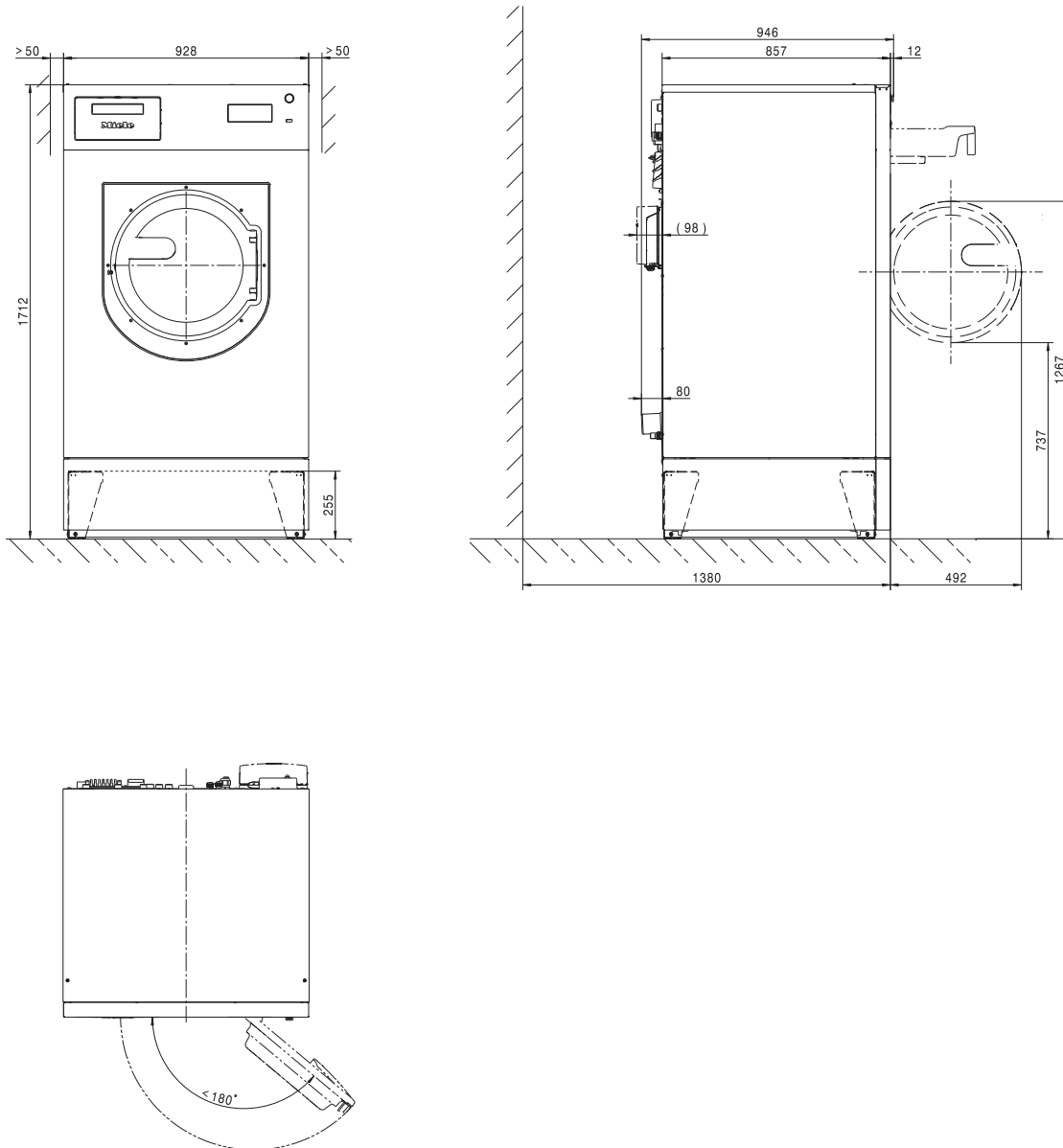
Padrão



Dimensões em milímetros

ⓕ Pé aparafusável

Rodapé

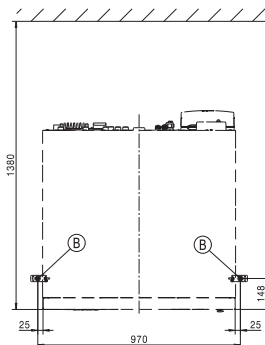
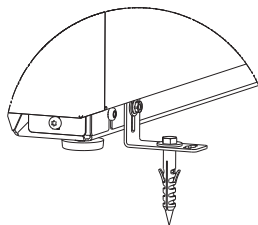
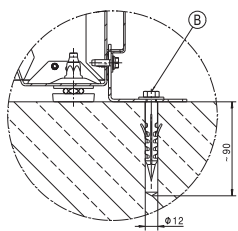


Dimensões em milímetros

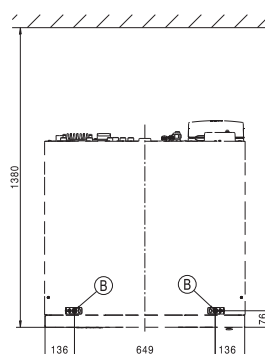
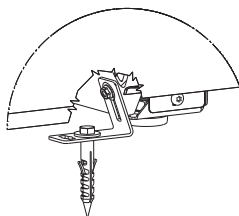
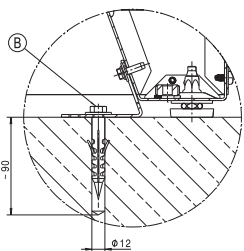
pt - Instalação

Fixação ao solo

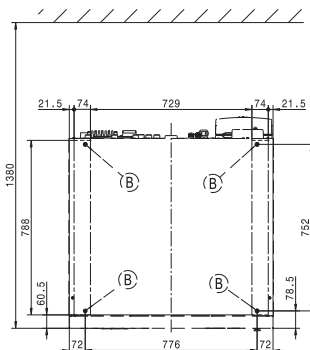
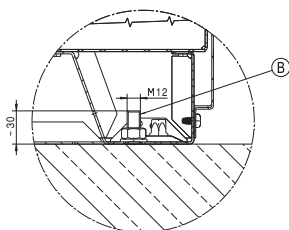
Padrão



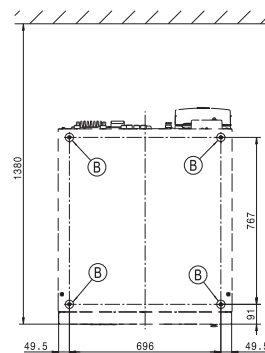
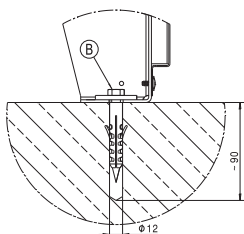
Em instalação em série



Marinha



Rodapé



Dimensões em milímetros

ⓑ Parafuso/Ponto de fixação

Variantes de tensão e características elétricas

3N AC 400 V SI/SD

Tensão de ligação	3N AC 400 V
Frequência	50/60 Hz
Disjuntor necessário (no local de instalação)	16 A
Consumo de energia	3,1 kW
Secção transversal mínima para o cabo elétrico	1,5 mm ²

Ligações de água

Ligação à água fria

Pressão de fluxo necessária	100 - 1000 kPa (1 - 10 bar)
Fluxo volumétrico máximo	31,5 l/min
Rosca de ligação necessária (rosca macho, no local de acordo com DIN 44991, vedação plana)	3 x 3/4"
Comprimento da mangueira de entrada fornecida	3 x 1550 mm

Ligação à água quente

Temperatura máxima permissível da água quente	70 °C
Pressão de fluxo necessária	100 - 1000 kPa (1 - 10 bar)
Fluxo volumétrico máximo	16 l/min
Rosca de ligação necessária (rosca macho, de acordo com DIN 44991, vedação plana)	1 x 3/4"
Comprimento da mangueira de entrada fornecida	1550 mm

Ligação de água quente (em variantes sem aquecimento e com potência de aquecimento reduzida)

Temperatura de água quente máxima admissível	90 °C
Pressão de fluxo necessária	100 - 1000 kPa (1 - 10 bar)
Fluxo volumétrico máximo	16 l/min
Rosca de ligação necessária (rosca macho, de acordo com DIN 44991, vedação plana)	1 x 1"
Comprimento da mangueira de entrada fornecida	1550 mm

Ligação para água dura (opcional)

Pressão de fluxo necessária	100 - 1000 kPa (1 - 10 bar)
Fluxo volumétrico máximo	32 l/min
Rosca de ligação necessária (rosca macho, de acordo com DIN 44991, vedação plana)	2 x 3/4"
Comprimento da mangueira de entrada fornecida	2 x 1550 mm

Aquecimento a vapor indireto

Potência de aquecimento (rendimento)	27 kW
Rosca de ligação (no local)	2 x 1/2"

A válvula magnética de vapor, o filtro de sujidade e a válvula de corte de vapor devem ser montados no local. Siga as instruções de instalação para máquinas com aquecimento a vapor.

pt - Características técnicas

Aquecimento a vapor direto

Potência de aquecimento (rendimento alta pressão)	37 kW
Rosca de ligação (no local)	1 x ½"
A válvula magnética de vapor, o filtro de sujidade e a válvula de corte de vapor devem ser montados no local. Siga as instruções de instalação para máquinas com aquecimento a vapor.	

Descarga de água de esgoto

Temperatura máxima das águas residuais	95 °C
Tubuladura de águas residuais (lado da máquina)	Tubo de plástico HT DN 70
Esgoto (no local)	Manga DN 70
Velocidade de esgoto máxima	200 l/min

Entrada para ligação equipotencial

Rosca exterior	M10
Anilhas dentadas	M10

Dimensões de instalação

Largura do revestimento (sem acessórios montados)	920 mm
Altura do revestimento (sem acessórios montados)	1447 mm
Profundidade do revestimento (sem acessórios montados)	857 mm
Largura total da máquina	924 mm
Altura total da máquina	1450 mm
Profundidade total da máquina	946 mm
Largura mínima de passagem	1020 mm
Distância mínima entre a parede e a frente do aparelho	1380 mm
Diâmetro de abertura da porta	415 mm
Ângulo de abertura da porta	180°

Fixação

Padrão

Pontos de fixação necessários	2
Parafuso para madeira DIN 571 (diâmetro x comprimento)	12 mm x 90 mm
Bucha (diâmetro x comprimento)	16 mm x 80 mm

Com sapata (APWM UO/UG)

Pontos de fixação necessários	4
Parafuso para madeira DIN 571 (diâmetro x comprimento)	12 mm x 90 mm
Bucha (diâmetro x comprimento)	16 mm x 80 mm

Base de betão

Pontos de fixação necessários	2
Parafuso para madeira DIN 571 (diâmetro x comprimento)	12 mm x 90 mm
Bucha (diâmetro x comprimento)	16 mm x 80 mm

Dados de transporte, peso e carga exercida sobre o solo

Variantes do aparelho com gaveta de detergente (DD)

Largura da embalagem	10210 mm
Altura da embalagem	1585 mm
Profundidade da embalagem	1130 mm
Volume bruto	2168 l
Peso bruto*	410 kg
Peso líquido*	390 kg
Carga máxima no piso durante o funcionamento*	5765 N

*dependente do equipamento

Dados de emissão

Nível de pressão acústica no local de trabalho, lavagem	51 dB (A)
Nível de ruído, lavagem	60,0 dB (A)
Nível de pressão acústica no local de trabalho, centrifugação	65 dB (A)
Nível de ruído, centrifugação	76,0 dB (A)
Libertação média de calor no local de instalação	6,48 MJ/h

Miele



Miele & Cie. KG
Carl-Miele-Straße 29
33332 Gütersloh
Germany
Telefon: 05241 89-0
Internet: www.miele.com/professional